

# AD-TVC

Single display mobile cart

**The AD-TVC cart is designed for presentation and education applications.** It supports a wide range of medium to heavy weight displays (up to 50kg) and comes with a height adjustable shelf for use with modern media devices. Mobile TV carts allow displays to be maneuvered between rooms quickly and easily, helping to cut down on costs by reducing the need to buy multiple displays.

## Single display mobile cart



600 x 400



50kg

### Easy Assembly

With knock down column tubes and hook-on display brackets

### Universal VESA

Bracket with 4 display Height settings

### Strong

Steel structure

### Media Shelf

With 3 height settings

### Large Castors

100mm rubber castors with break for easy manoeuvring



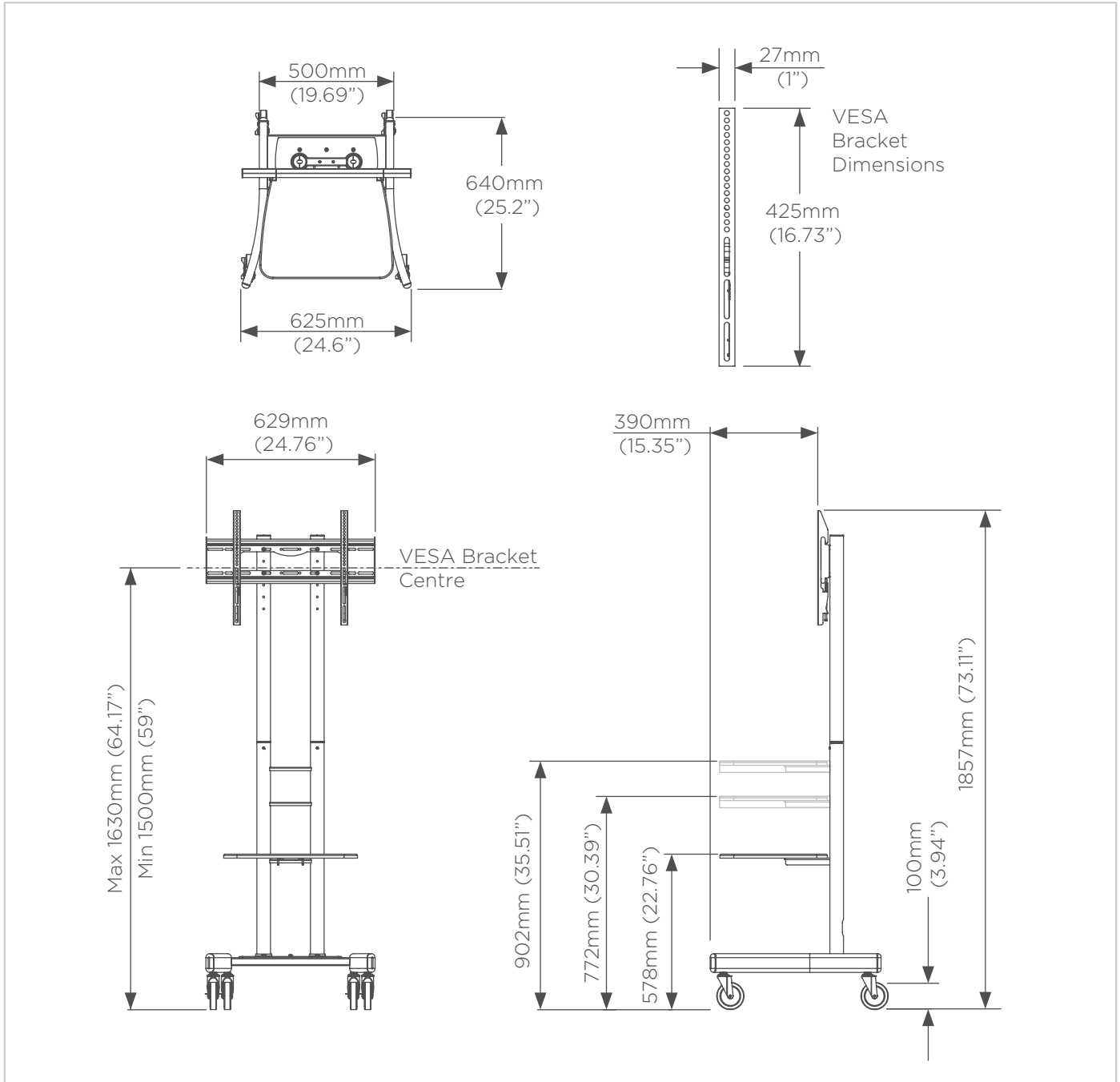
10 year warranty

# Single display mobile cart



Ordering code: AD-TVC

## Dimensions



Atdec Uncover™ is where our infinite mounting possibilities become your specific mounting solutions.

Call us on 02 8729 5000 to discuss your next project or visit [atdec.com.au/digital-signage/](https://atdec.com.au/digital-signage/)