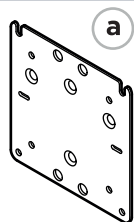
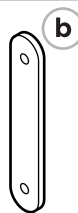


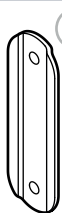
Component Checklist - Please check you have received all parts as shown.



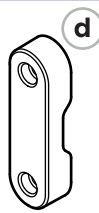
CPU Mount Plate



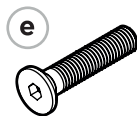
AF- Post Clamp Plate



AWM- Post Clamp Plate



Spacer



2 x Clamp Screw (M5x25mm)



2 x Clamp Screw (M5x10mm)



3mm Allen Key

Mounting Hardware



4 x M4x10mm Screw



2 x M3x10mm Screw

*Installation will require a Phillips Head Screwdriver.

IMPORTANT INFORMATION

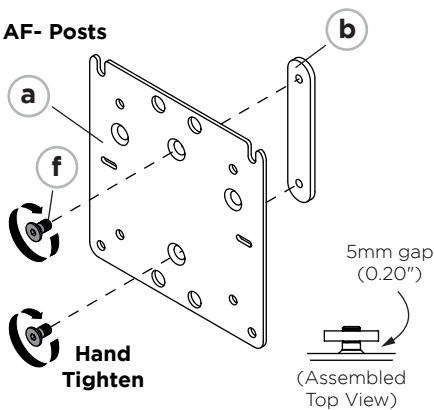
! IMPORTANT - Install Mount Plate as per Installation Instructions.

- ! This product supports a maximum load of 5kg (11 lbs).
- ! This product has a warranty period of ten (10) years.
- ! This product is compatible with all AF- and AWM- range posts.
- ! This product mounts 75x75mm and 100x100mm VESA pattern mini PCs and Intel® NUC devices.
- ! The manufacturer accepts no responsibility for incorrect installation.

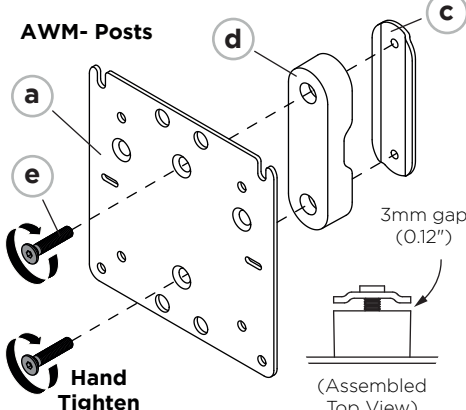
Installation Steps

Step 1. Assemble plate with an AF- or AWM- range post as shown below. Leave a gap of at least 3mm (0.12") for AWM posts, and 5mm (0.20") for AF posts.

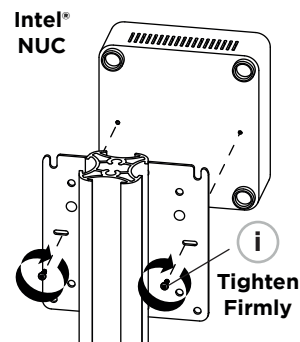
AF- Posts



AWM- Posts

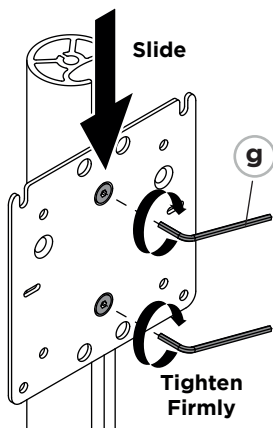


Step 3. Install your Mini PC onto the Mount Plate according to the mounting pattern on your device. (AWM-P40 post shown here - AF range follows same steps)

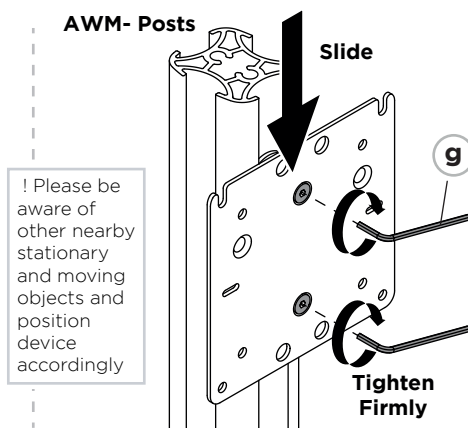


Step 2. Slide assembly into the post, placing the plug in the desired channel. Hold at desired height and tighten screws firmly to lock in place on the post.

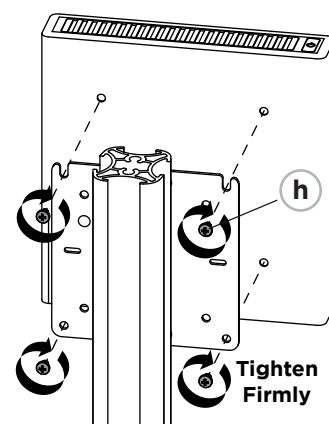
AF- Posts



AWM- Posts



VESA-Compliant Devices



Installation Complete

No portion of this document or any artwork contained herein should be reproduced in any way without the express written consent of Atdec Pty Ltd. Due to continuing product development, the manufacturer reserves the right to alter specifications without notice. © 20190619A