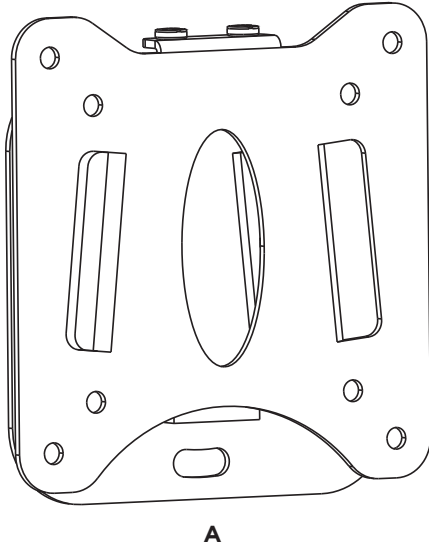
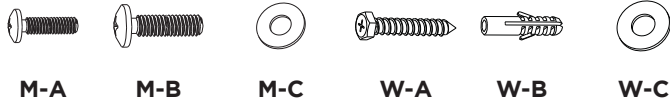


# Low Profile Fixed Wall Mount



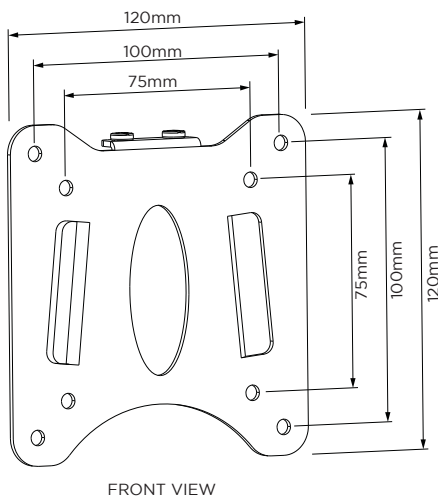
A



### COMPONENT CHECKLIST

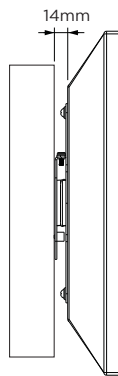
Item	Name	QTY
A	Wall Mount Plates	1
M-A	M4 x 14mm Screw	4
M-B	M5 x 14mm Screw	4
M-C	M5 Washer	4
W-A	Coach Bolt	2
W-B	Nylon Anchor	2
W-C	Coach Bolt Washer	2

### PRODUCT DIMENSIONS



FRONT VIEW

**NOTE:**  
Distance between holes on Wall Plate is 89mm (3.5").



SIDE VIEW



### REQUIRED TOOLS

- Phillips Head Screw Driver
- Power Drill
- 4.5mm Drill Bit (Timber Stud)
- 10mm Drill Bit (Masonry)

### WEIGHT RANGE

0 - 30kg  
(0 - 66lb)

### IMPORTANT INFORMATION

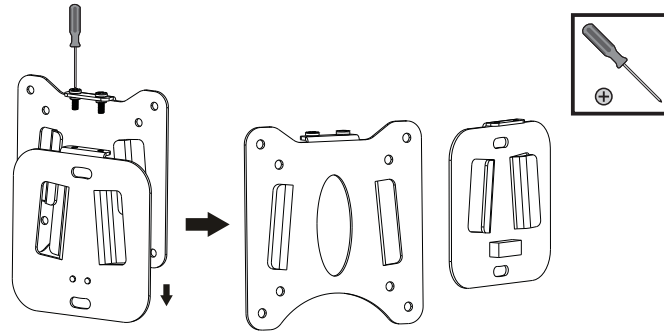
- ! Please ensure this product is installed as per these installation instructions. Failure to do so could lead to product failure and personal injury.
- ! This product supports a maximum load of 30kg (66lbs). Make sure that the supporting surface will safely support the combined weight of the equipment and all attached hardware and components.
- ! This product is intended for indoor use only.
- ! This product only supports VESA compliant displays with 75x75mm and 100x100mm mounting hole patterns. The product can be mounted on devices with these hole patterns. Please check device manufacturer's specification to ensure safety. Also supports 200x200mm via additional adaptor plate AC-AP-2020 (sold separately).
- ! The manufacturer accepts no responsibility for incorrect installation.

### WARRANTY

10 years limited

# INSTALLATION INSTRUCTIONS

## 1. Remove the Security Screws

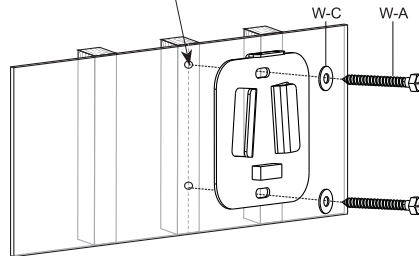
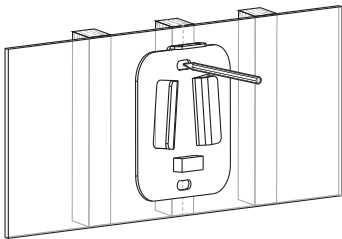
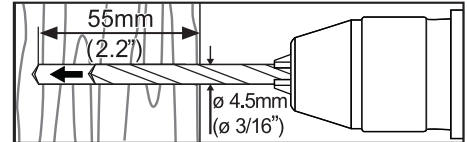


## 2. Mount the Wall Plate (NOTE: This product is designed to be installed on wood stud walls, solid concrete walls or brick walls)

### Timber Stud

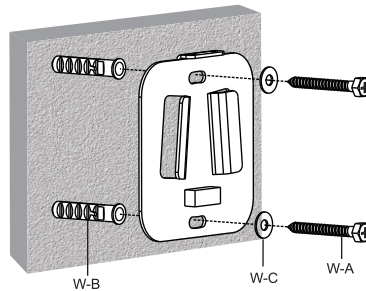
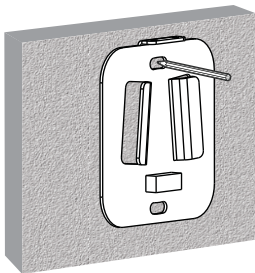
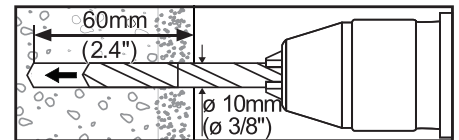
**NOTE:**  
Distance between  
holes on Wall Plate  
is 89mm (3.5").

**NOTE:**  
Ensure hole is into  
timber stud.

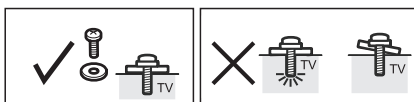
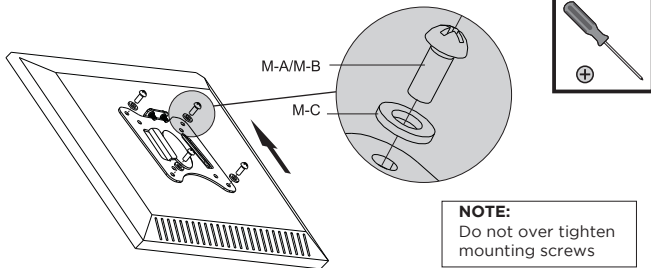


### Masonry Wall

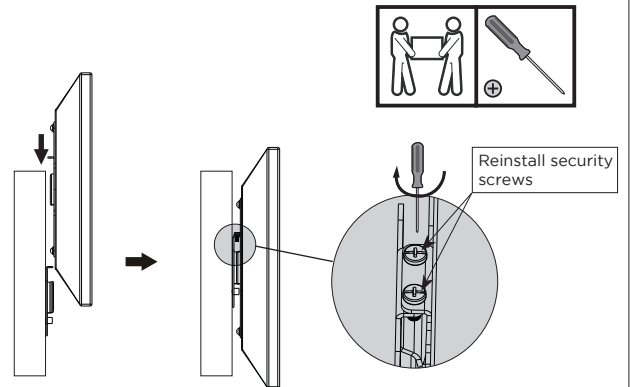
**NOTE:**  
Distance between  
holes on Wall Plate  
is 89mm (3.5")



## 3. Mount the Display Plate



## 4. Install Display to Wall Plate



# ATDEC

atdec.com | atdec.com.au

No portion of this document or any artwork contained herein should be reproduced in any way without the express written consent of Atdec. Due to continuing product development, the manufacturer reserves the right to alter specifications without notice. ©20230203

Please Recycle ♻️