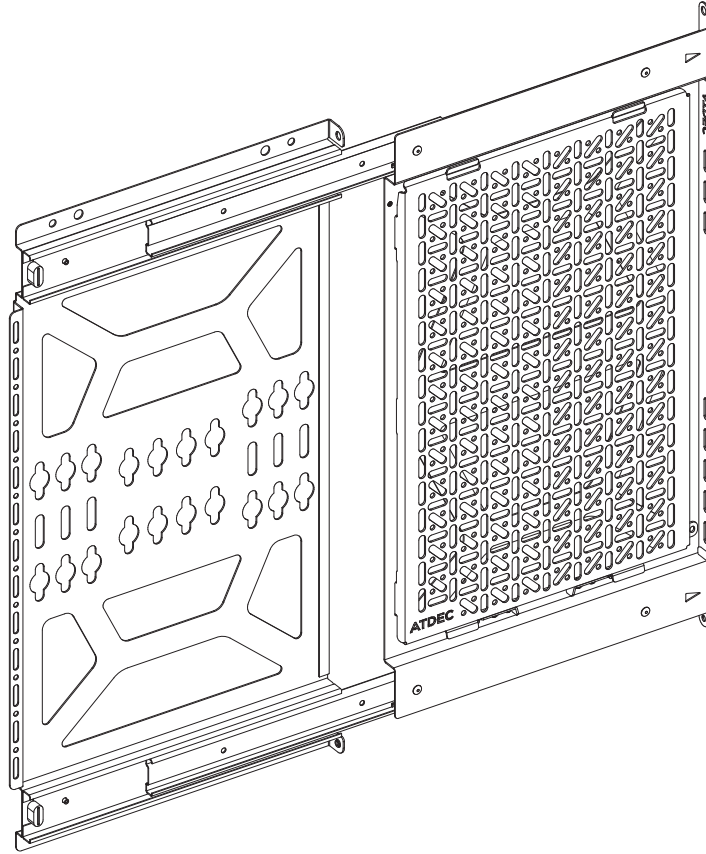


Sliding Media Storage Panel



FEATURES

- Slide out feature for ease of access to components.
- Panel can be mounted to slide out from either side of the display (left or right)
- Mounts directly onto wall or on Atdec ADB Series Rails.
- Removable mounting tray for ease of installation and servicing of components.
- Mounting hole pattern allows for a variety of component fixing methods (screws, cable ties, hook & loop strip).
- Anti-theft features, including security screws or padlock fixing.

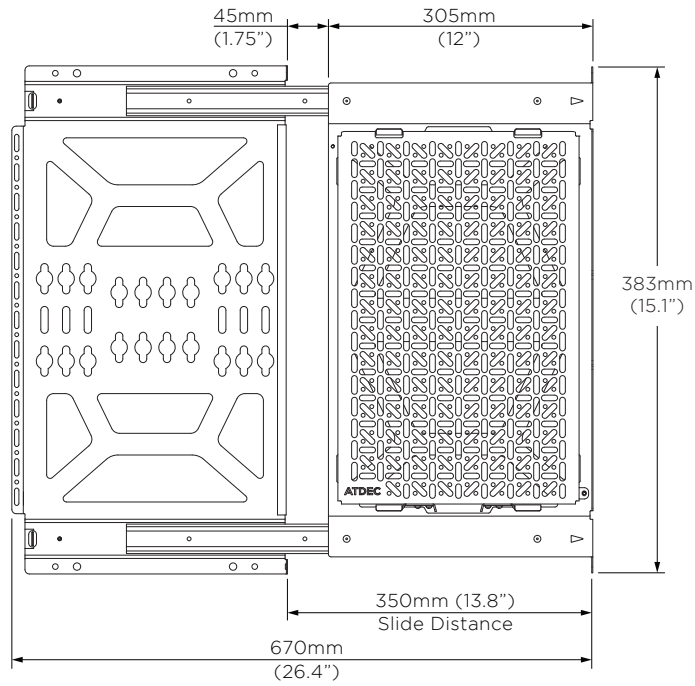
Weight Capacity	8kg (17.5lbs)
Component Mounting Area	420x273mm (16.5x10.7")
Component Mounting Surface Distance from Wall	18mm (0.7")*
Slide Movement	350mm (13.8")
Primary Material	Steel

***Component depth** is limited by the depth of the display mounting bracket and shape of the rear of the display. Please ensure combined installation of display, display mounting bracket and AD-AC-PS provides sufficient clearance for component mounting and sliding movement.

WARRANTY

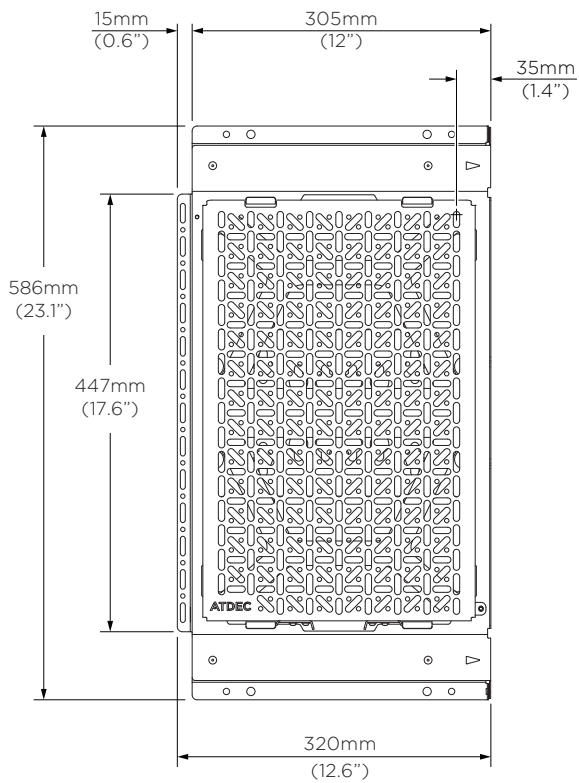
10 years limited

DIMENSIONS MOVEMENT

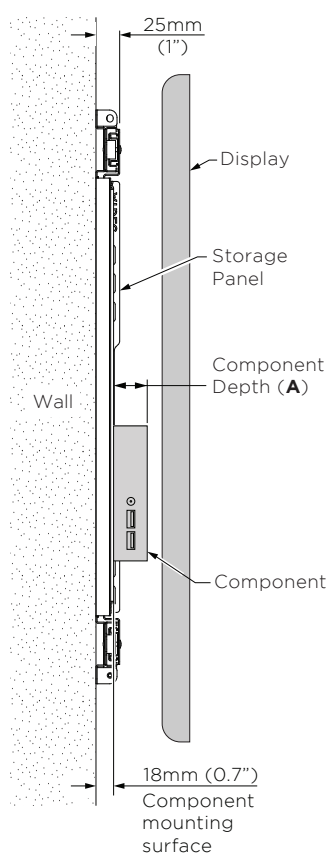


FRONT VIEW - OPEN

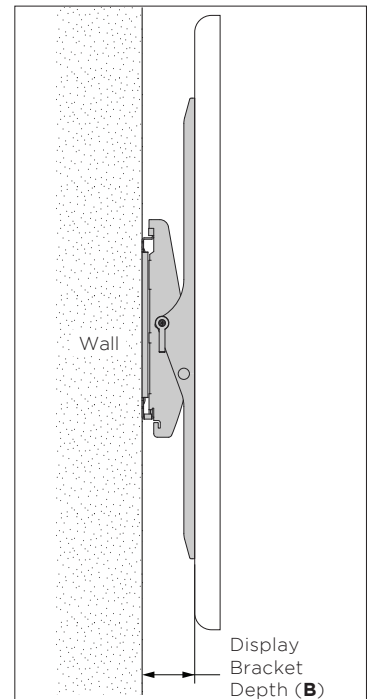
DIMENSIONS OVERALL



FRONT VIEW - CLOSED



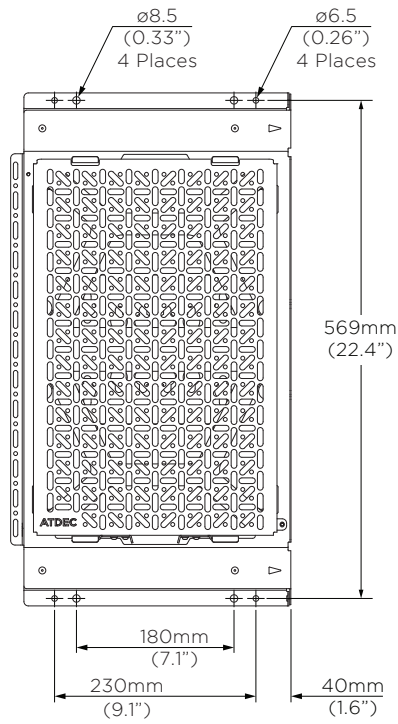
SIDE VIEW



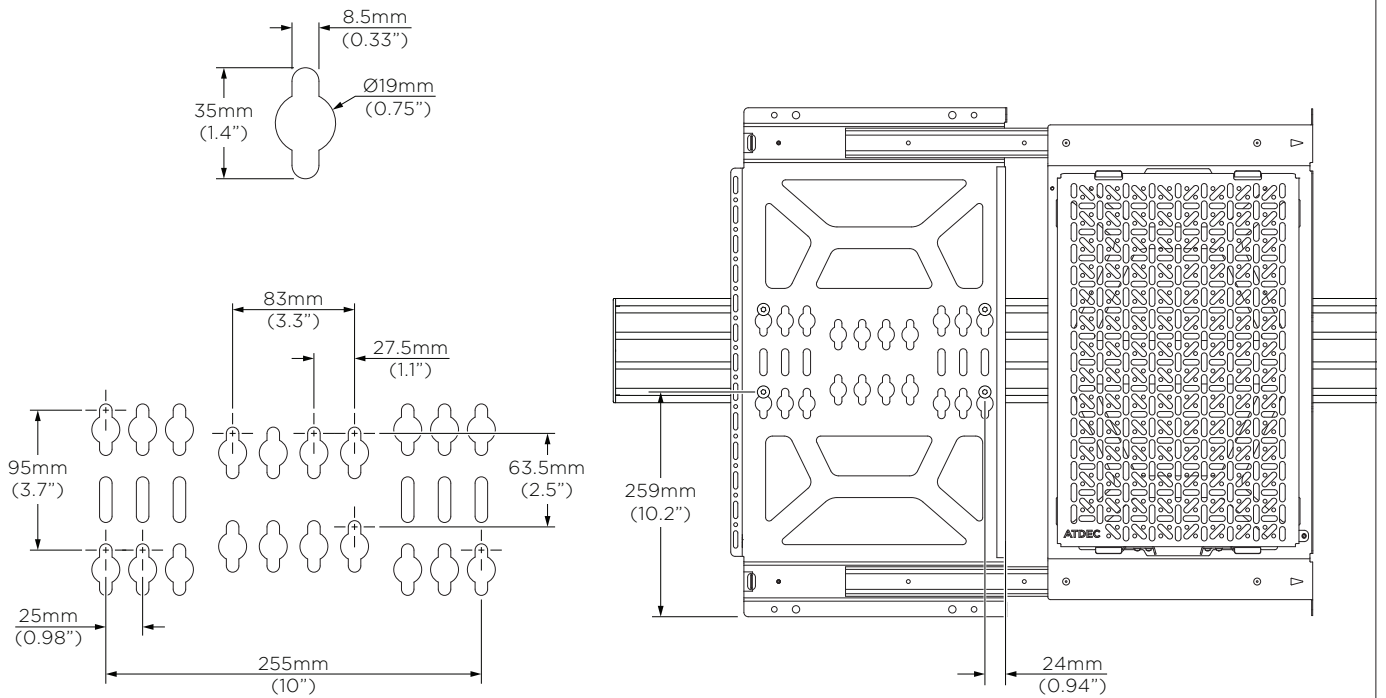
NOTE

Component depth (A) is dependent on display mounting bracket depth (B).
 $A < (B - 18\text{mm } [0.7\text{"}])$

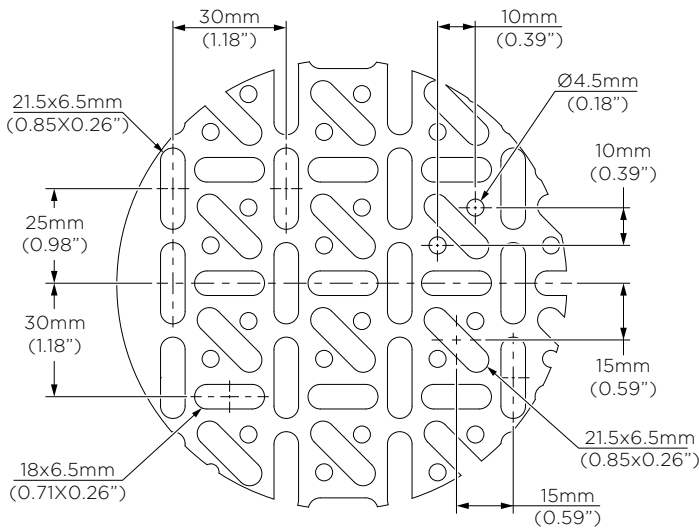
DIMENSIONS WALL MOUNTING



DIMENSIONS ATDEC ADB RAIL MOUNTING

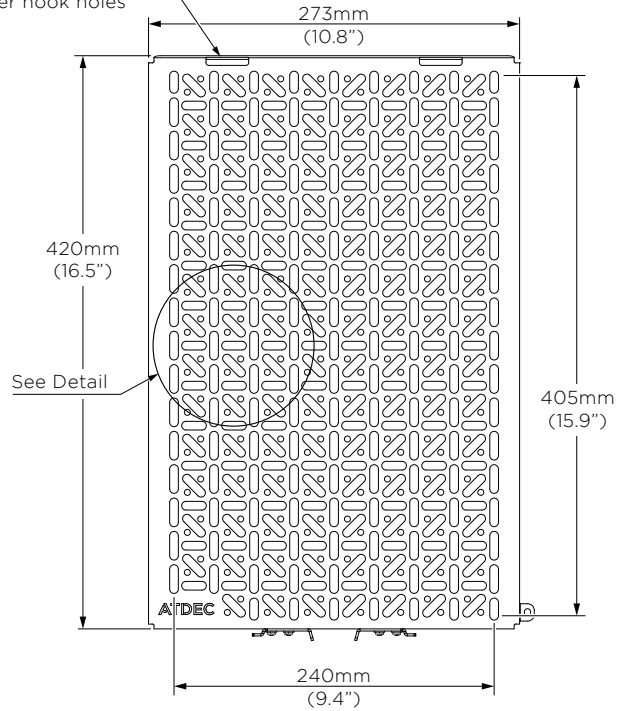


DIMENSIONS MOUNTING TRAY (COMPONENT MOUNTING AREA)



HOLE PATTERN DETAIL

Note
Do not mount components over hook holes



COMPONENT DEPTH

Please ensure combination of display, display mounting bracket and AD-AC-PS provide sufficient clearance for component mounting and sliding movement.

