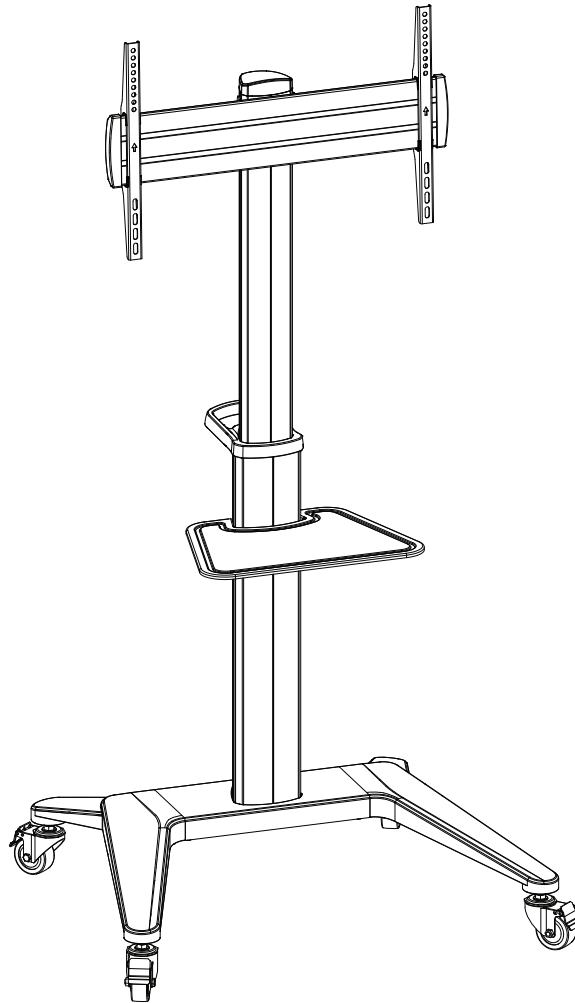


## AV Cart 70A



### FEATURES

- Slim profile suits modern displays and contemporary interiors
- Height adjustable display
- Height adjustable equipment shelf
- Convenient, discreet tool storage
- Concealed cable management through column
- Compact, flat-pack assembly
- ø75mm (3") lockable castors

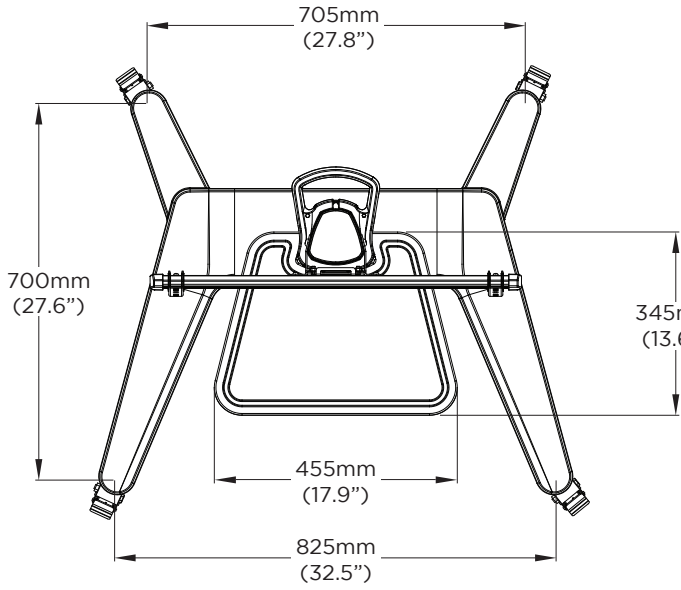
<b>Display weight</b>	0 -70kg (0 - 154lb)*
<b>Display size</b>	32" - 70"
<b>Shelf capacity</b>	0 - 5kg (0 - 11lb)*
<b>Height adjustment</b>	600mm (23.6")
<b>Shelf height adjustment</b>	635mm (25.0")
<b>VESA mounting range</b>	200x200 - 600x400
<b>Primary Materials</b>	Aluminium, Steel

\*Curved monitors, deep devices (such as all-in-one PCs), VESA mounted accessories (such as mini PC brackets and mounts), and offset VESA locations exert additional leverage that can exceed the capacity of the mount even though the monitor weight may be within the stated range. Please contact Atdec if you would like further information.

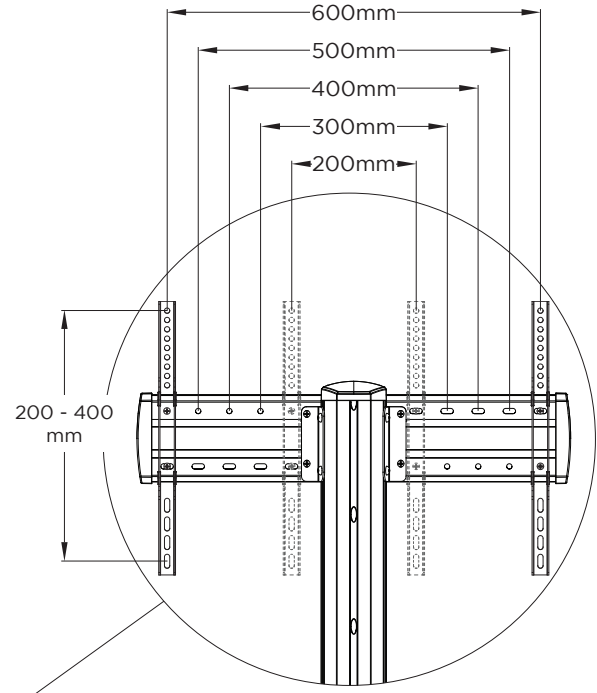
### WARRANTY

10 years limited

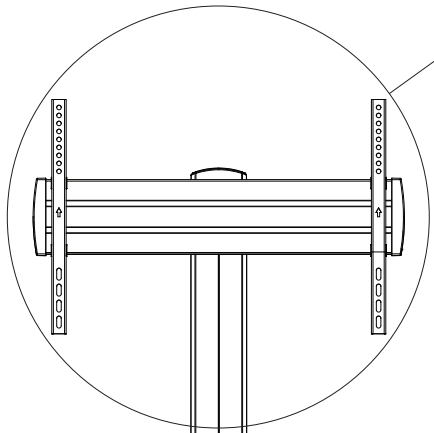
# DIMENSIONS



TOP VIEW



DETAILED BACK VIEW  
VESA RANGE

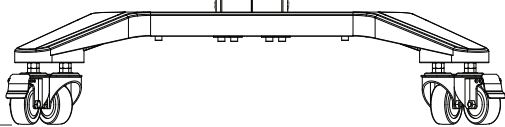


MAX. HEIGHT OF SHELF

920mm (36.2")

MIN. HEIGHT OF SHELF

285mm (11.2")



FRONT VIEW

MAX. HEIGHT TO VESA CENTRE

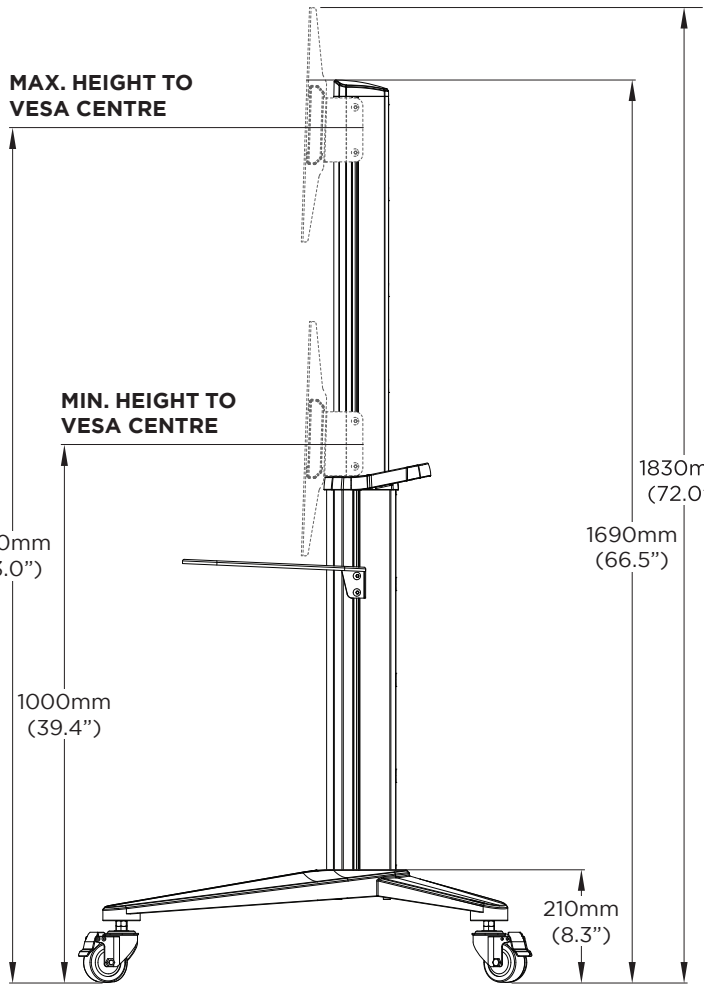
1600mm (63.0")

MIN. HEIGHT TO VESA CENTRE

1000mm (39.4")

1830mm (72.0")

1690mm (66.5")



SIDE VIEW