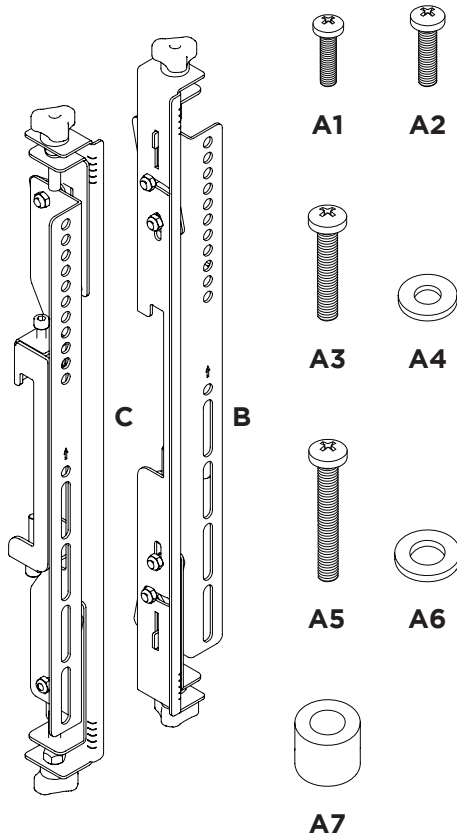


ADB VESA 400 Micro Adjust Brackets

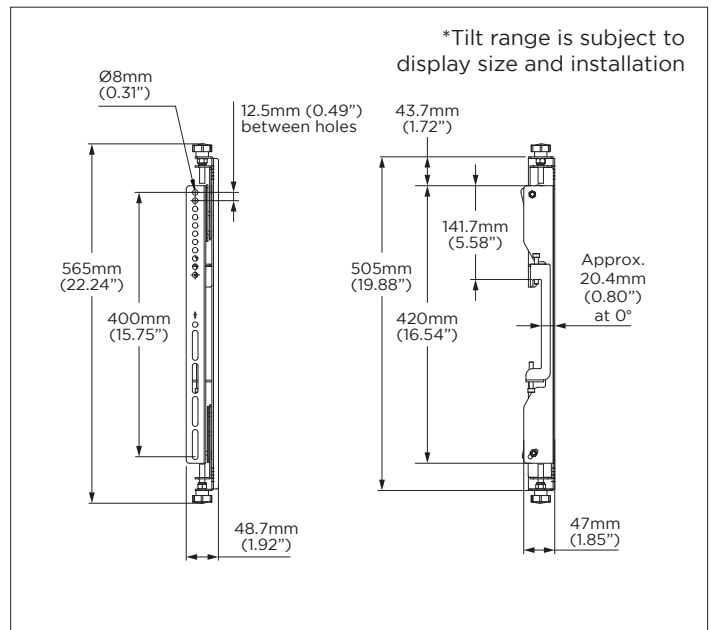
Load Capacity
50kg (110lb)

COMPONENT CHECKLIST

Item	Name	QTY
A1	M5 x 15mm Screw	4
A2	M6 x 15mm Screw	4
A3	M8 x 25mm Screw	4
A4	M6 Washer	4
A4	M8 x 45mm Screw	4
A4	M8 Washer	4
A7	Spacer	4
B	Tilt Bracket - Left	1
C	Tilt Bracket - Right	1

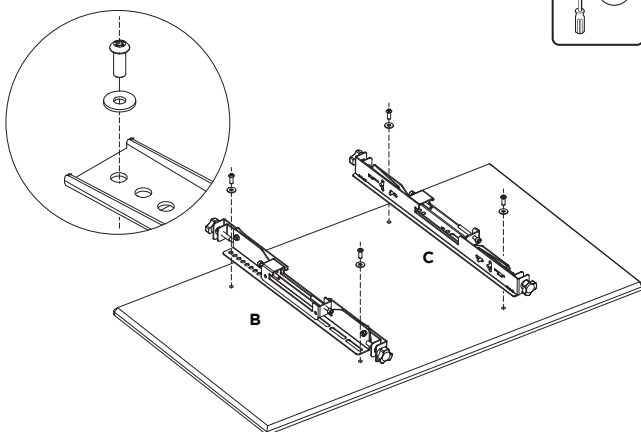


PRODUCT DIMENSIONS

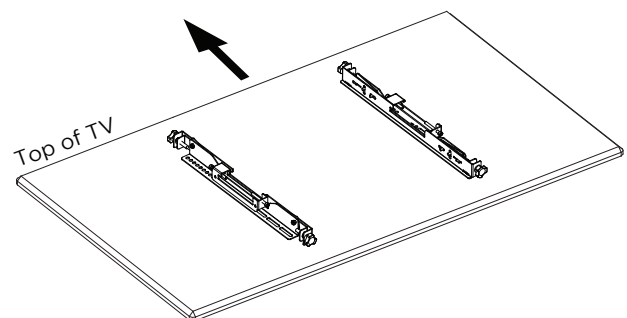


INSTALLATION INSTRUCTIONS

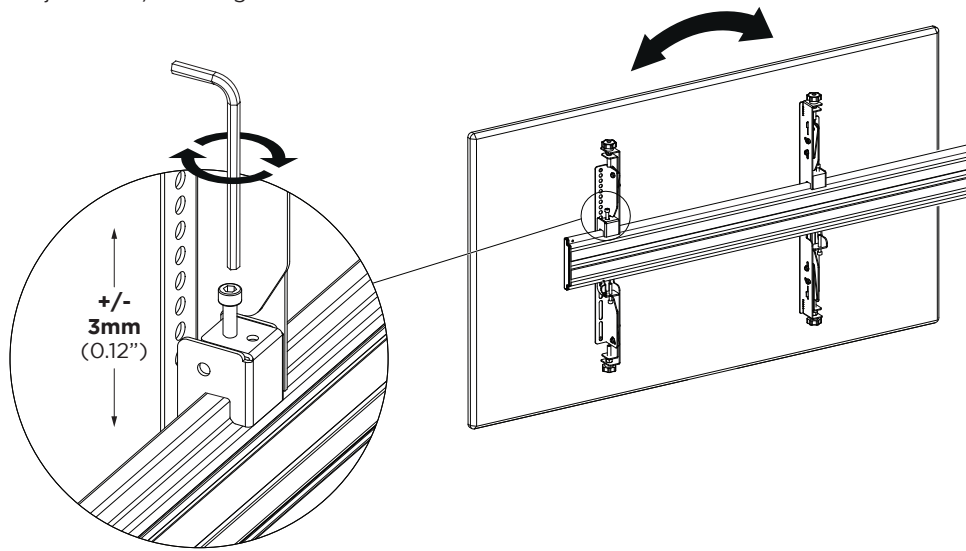
1. Attach brackets to display.



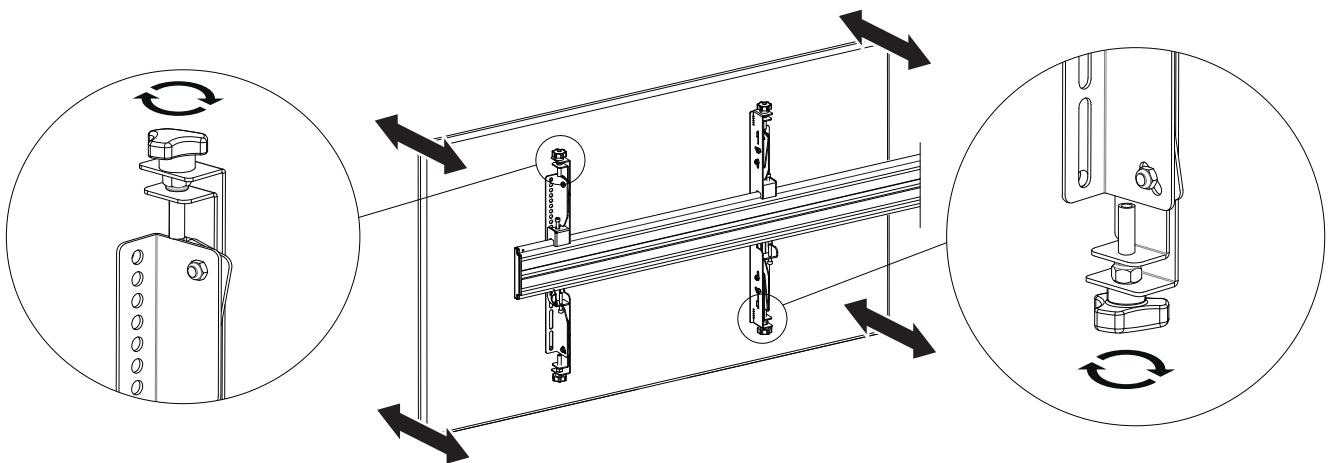
NOTE: Make sure brackets are oriented as shown.



3. Vertical adjustment / levelling correction



4. Micro-adjust depth of each display corner from wall



5. Secure display on rail

