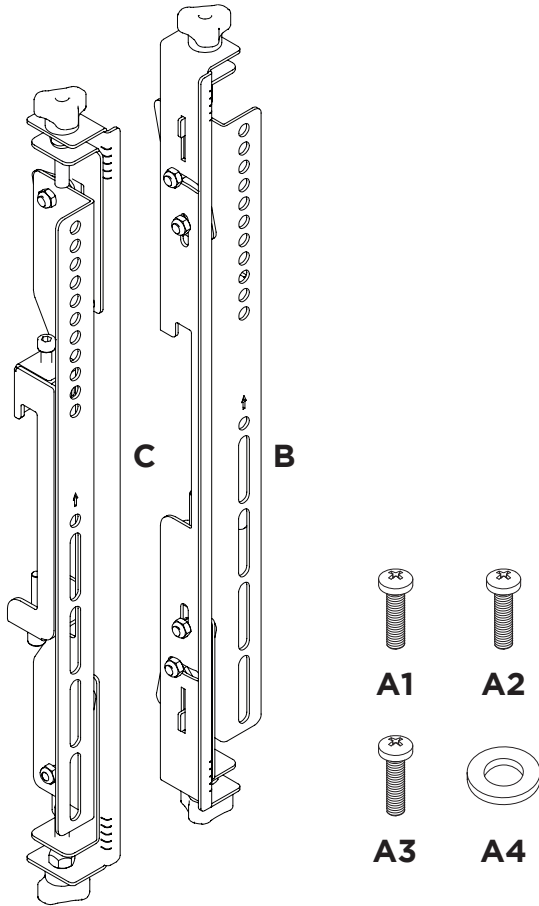


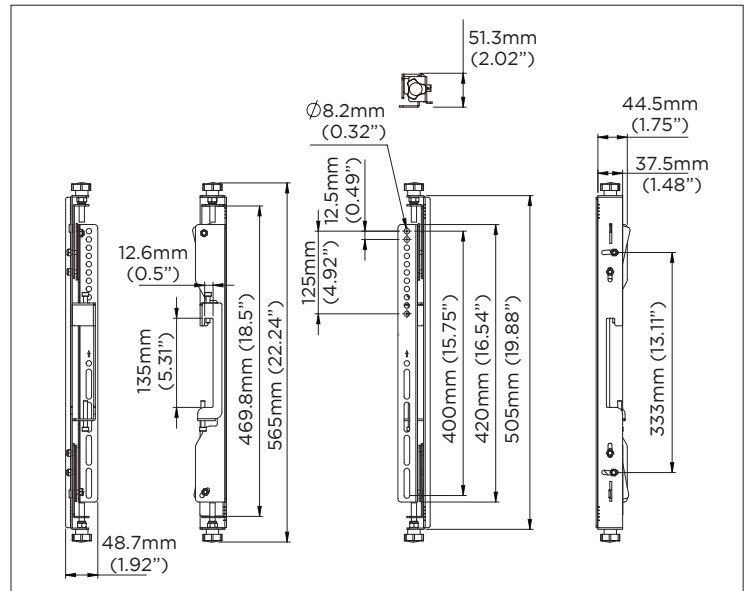
## VESA 400 Micro Adjust Brackets

### COMPONENT CHECKLIST

Item	Name	QTY
A1	M5 x 15mm Screw	4
A2	M6 x 15mm Screw	4
A3	M8 x 15mm Screw	4
A4	M6 Washer	4
B	Micro Adjust Bracket - Left	1
C	Micro Adjust Bracket - Right	1

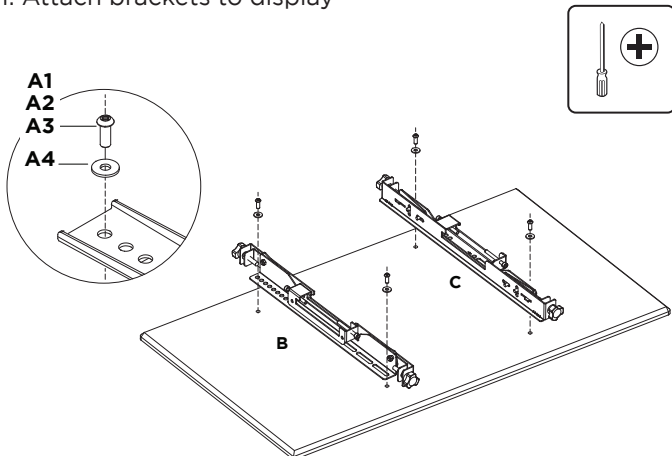


### PRODUCT DIMENSIONS

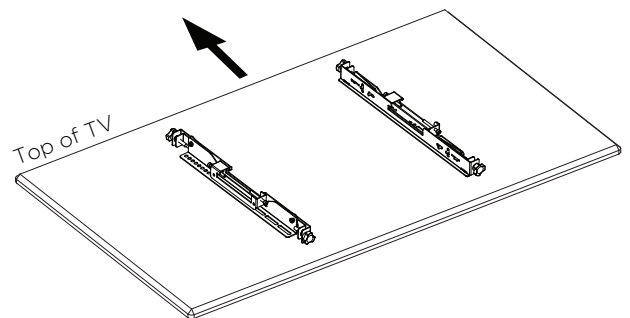


### INSTALLATION INSTRUCTION

1. Attach brackets to display



NOTE: Make sure brackets are oriented as shown



## 2. Mount display on rail

