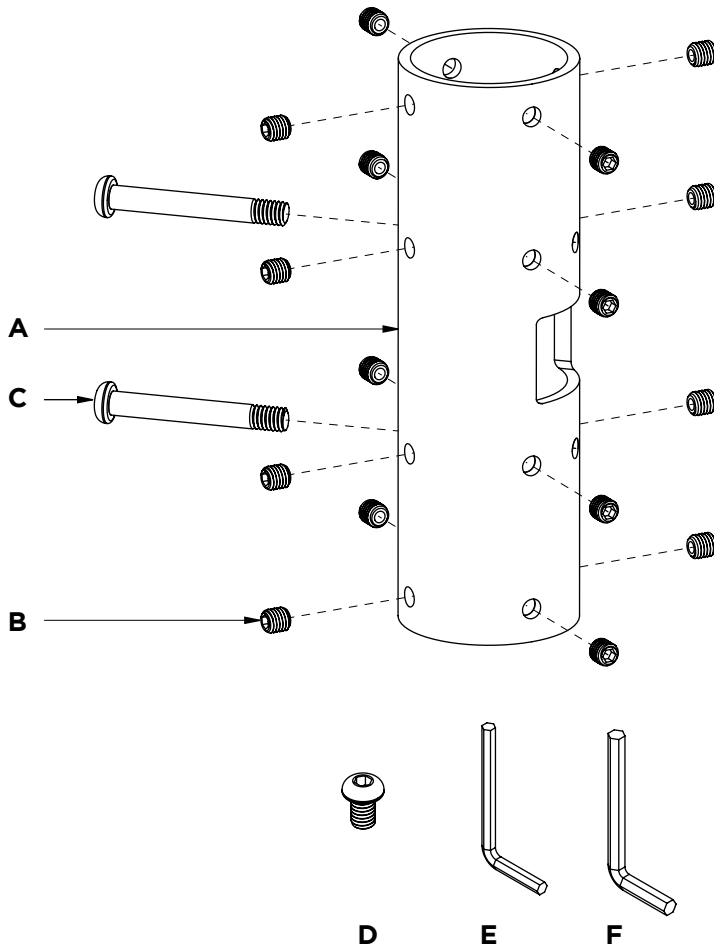


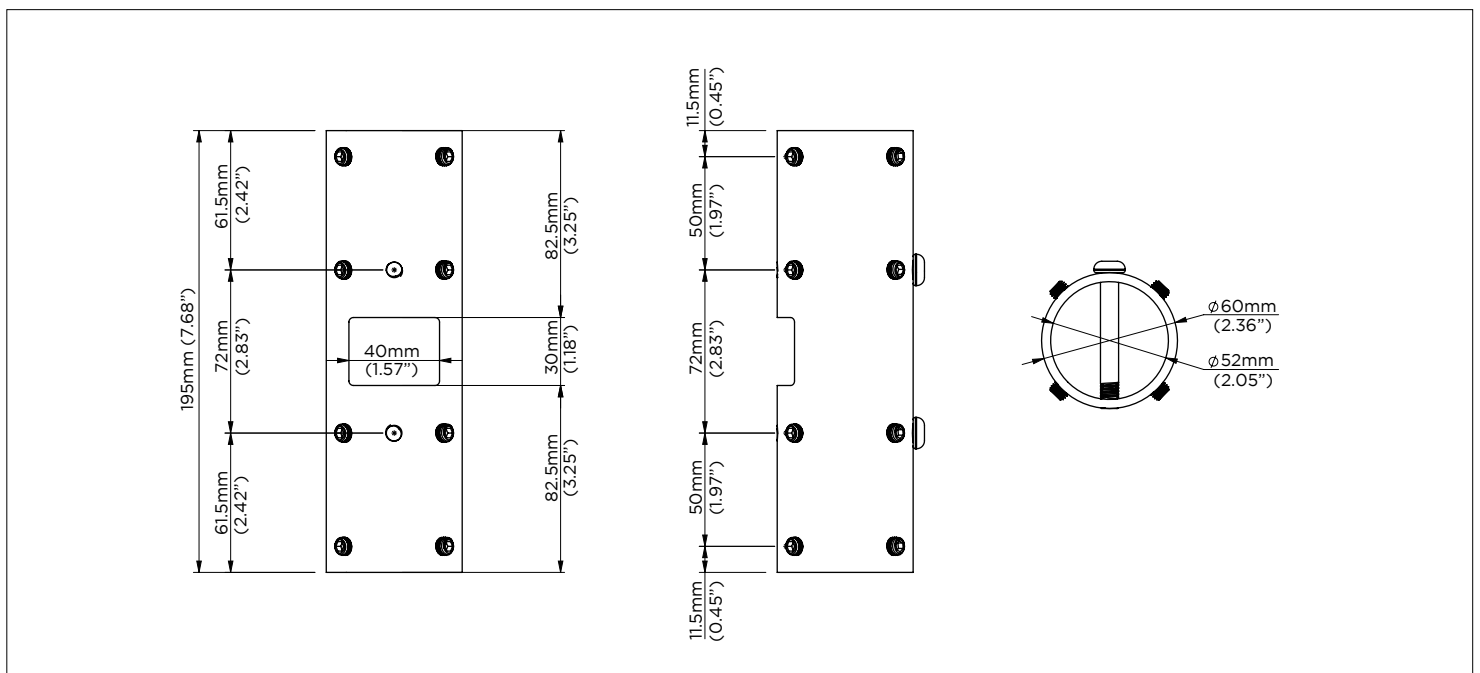
Pole Joiner

COMPONENT CHECKLIST

Item	Name	QTY
A	Ø50mm Tube Joiner	1
B	M8 x 8mm Grub Screw	16
C	M8 x 60mm Screw	2
D	M8 x 12mm Screw	2
E	4mm Hex Key	1
F	5mm Hex Key	1



PRODUCT DIMENSIONS



INSTALLATION SAFETY INSTRUCTIONS



CAUTION: THIS BASE IS INTENDED FOR USE ONLY WITH THE MAXIMUM WEIGHTS INDICATED. USE WITH DISPLAYS HEAVIER THAN THE MAXIMUM INDICATED MAY RESULT IN INSTABILITY CAUSING POSSIBLE INJURY.

Do not attempt to install this product until all instructions and warnings have been read and properly understood.

Please keep these instructions for future reference.

Please check carefully to make sure there are no missing or defective parts - defective parts must never be used.

Atdec Pty Ltd, its distributors and dealers are not liable or responsible for damage or injury caused by improper installation, improper use or failure to observe these safety instructions.

In such cases, all guarantees will expire.

GENERAL

Atdec Pty Ltd recommends that a professional AV installer or other suitably qualified person install this product. Great care must always be taken during installation as most AV equipment is of a fragile nature, possibly heavy and easily damaged if dropped.

If you do not fully understand the instructions or are not sure how to install this product safely, then please consult a professional for advice and/or to install this product for you. Failure to mount this product correctly may cause serious injury or death both during installation and at any time thereafter.

Do not mount any AV equipment that exceeds the specific weight limit of the product you are installing.

This weight limit will be clearly stated on each product and its packaging and will vary from product to product.

PRODUCT LOCATION

Please pay careful attention to where this product is located. Check load capacity of wall prior to installation as some walls are not suitable for installation. Designed for indoor use, this mount is suitable for public or home installation. If located in a public or frequently populated area ensure that the product is out of the immediate reach of people. If any AV equipment is to be suspended over the likely path or location of people then great care should be taken to secure all parts of the installation from falling. If you install this product on drywall it must be securely fixed to a wooden stud, concrete block or other permanent structure behind the drywall board.

Installing on drywall boards alone will not support the weight of most AV equipment.

When drilling holes in walls it is essential to avoid contact with electrical cables and water or gas pipes contained within. Use of a good quality live wire detector and hidden object locator is therefore recommended.

Only drill into structures when you are sure it is safe to do so.

FIXING HARDWARE

It is highly recommended that all wall fixing screws be used where supplied and that the purpose of all other fixing hardware is fully understood. In some cases more AV equipment fixing hardware will be supplied to accommodate different models of equipment and set up configurations.

The installer must be satisfied that any supplied fixing hardware is suitable for each specific installation. If any fixing screws or included hardware are deemed not sufficient for a safe installation then please consult a professional or your local hardware store.

HAZARD LIMITATION

When routing cables take advantage of any built in cable management features that the product might provide and ensure that all cables are tidy and secure. Check to see that any moving aspect of product can do so unhindered by any cabling.

Some products have moving parts and the potential to cause injury through the crushing or trapping of fingers or other body parts.

Particular attention to the nature of moving parts is required especially when assembling, installing and adjusting during set up.

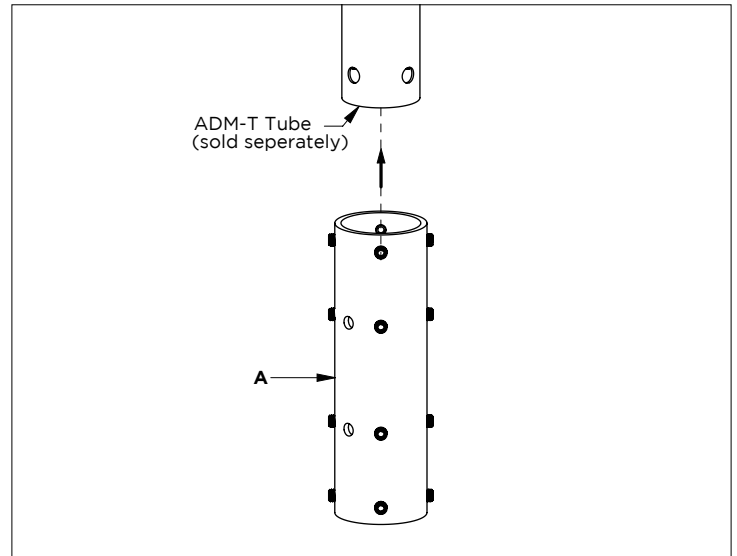
Immediately after installations double-check that the work done is safe and secure. Double-check all necessary fixings are present and are of ample tightness.

It is recommended that periodic inspections of the product and its fixing points are made as frequently as possible to ensure that safety is maintained. If in doubt consult a professional AV installer or other suitably qualified person.

INSTALLATION INSTRUCTION

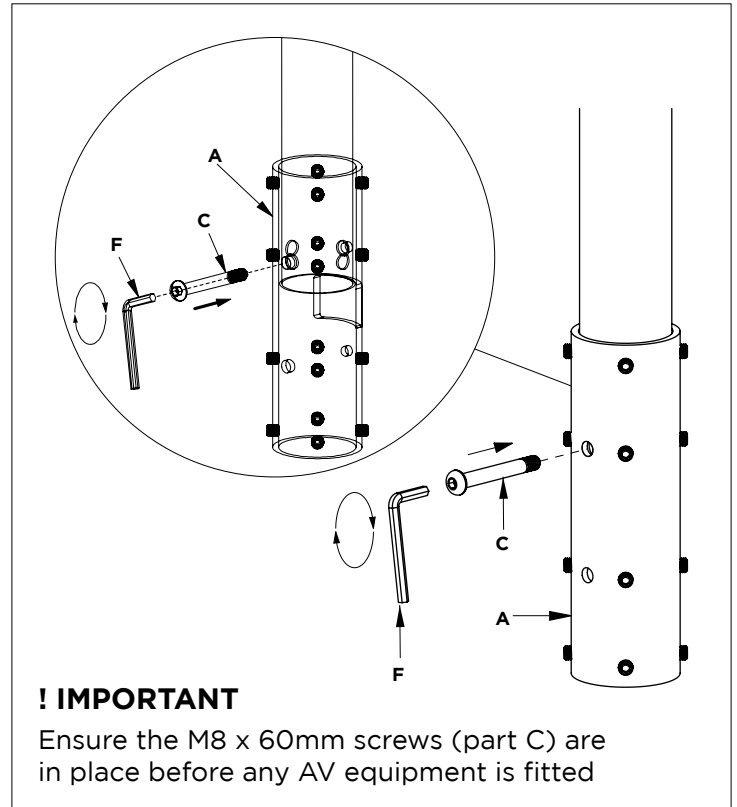
Step 1.

Attach Tube Extension Joiner to insert ADM-T tube (sold separately) into the tube extension joiner (part A) and line up the screw hole with the hole in the tube.



Step 2.

Secure Pole Joiner
Insert the M8 x 60mm (part C) screw or the M8 x 12mm screw (part D) and tighten using the 5mm hex key (part F).



! IMPORTANT

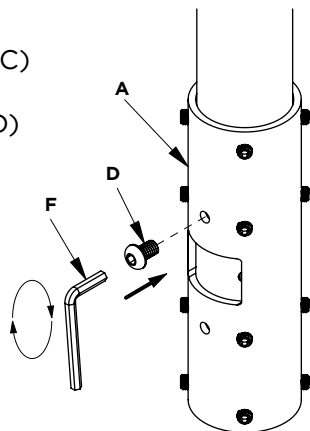
Ensure the M8 x 60mm screws (part C) are in place before any AV equipment is fitted

OPTIONAL

M8 x 60mm screw (part C) can be replaced with the M8 x 12mm screw (part D) to prevent cables being obstructed.

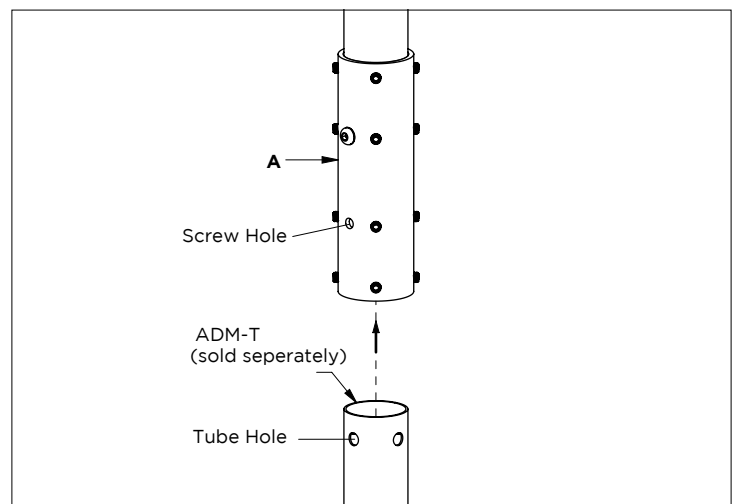
! IMPORTANT

Ensure the M8 x 12mm screws (part E) are in place before any AV equipment is fitted



Step 3.

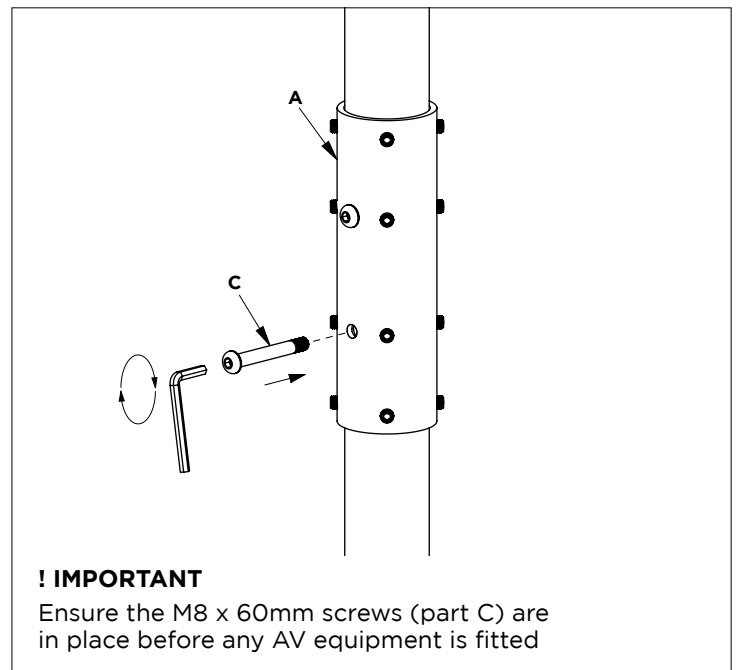
Connect Tubes
Insert another ADM-T tube (sold separately) into the external pole joiner (part A) and line up the screw hole with the hole in the tube.



Step 4.

Insert Safety Bolt

Insert the M8 x 60mm screw (part C) or the M8 x 12mm screw (part D) and tighten using the 5mm hex key (part F).

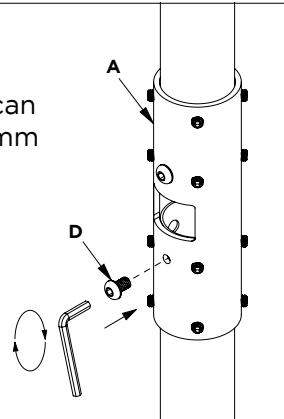


OPTIONAL

M8 x 60mm screws (part C) can be replaced with the M8 x 12mm screws (part D) to prevent cables being obstructed.

! IMPORTANT

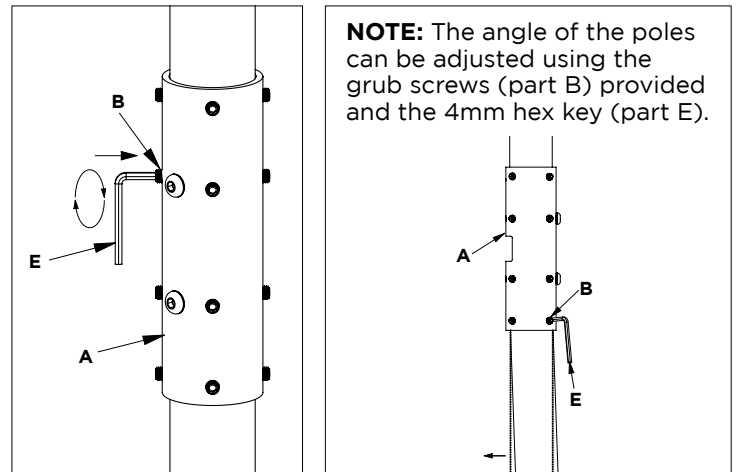
Ensure the M8 x 12mm screws (part E) are in place before any AV equipment is fitted



Step 5.

Secure Tube Extension Joiner

Tighten the M8 x 8mm grub screws (part B) onto both tubes using the 4mm hex key (part E).



TYPICAL INSTALLATIONS

