

## Dual Arm & Desktop Monitor Mount

### Mounting Options

Double arm desktop monitor mount includes bolt through and desk clamp mount options.

**Note** Desk clamp mounting option is only suitable for displays in side by side configuration.

### Desk Clamp

Suits desktop thicknesses of 0mm-76mm (0"-3")

### Bolt Through

Suits desktop thicknesses of 12mm-40mm (0.5"-1.5")

### Display Mounting Options

VESA 75 x 75mm  
VESA 100 x 100mm

### Display weight compatibility

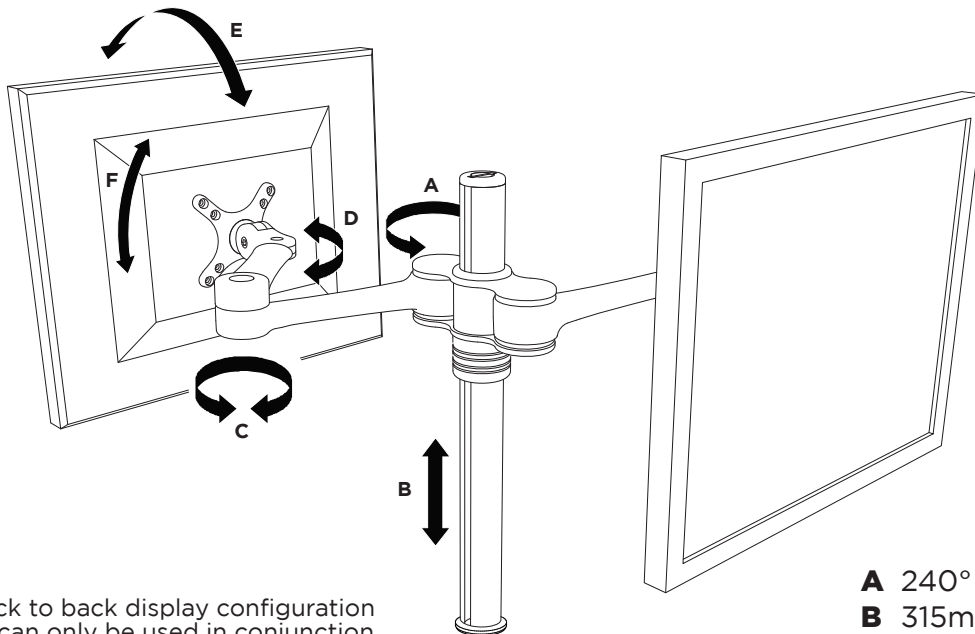
Max. 8kg (17.6lbs) per display

### Consist of

Monitor arm  
Fasteners  
Mounting hardware

### Warranty

10 years limited



### Note

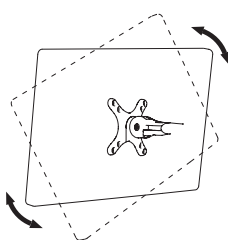
The back to back display configuration shown can only be used in conjunction with the bolt through mounting option.

The range of movement shown here applies to both arms of Visidec Focus articulated arm double

Please read the installation instructions before mounting Visidec Focus articulated arm double.

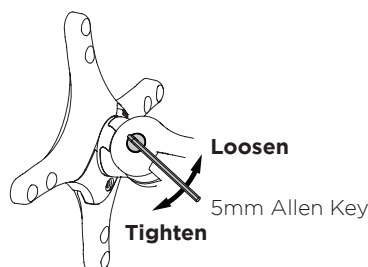
- A** 240° rotation at shoulder
- B** 315mm (12.5") height adjustment range
- C** 360° articulation of arms
- D** 180° pan adjustment
- E** Tilt  $\pm 70^\circ$
- F**  $\pm 95^\circ$  Portrait/landscape adjustment

### Portrait/ Landscape



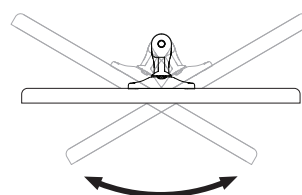
No Allen Key

### Tilt (Screen angle up/down)



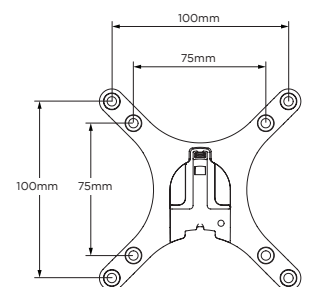
**Note:** Support Screen when adjusting tilt.

### Pan (Screen angle left/right)

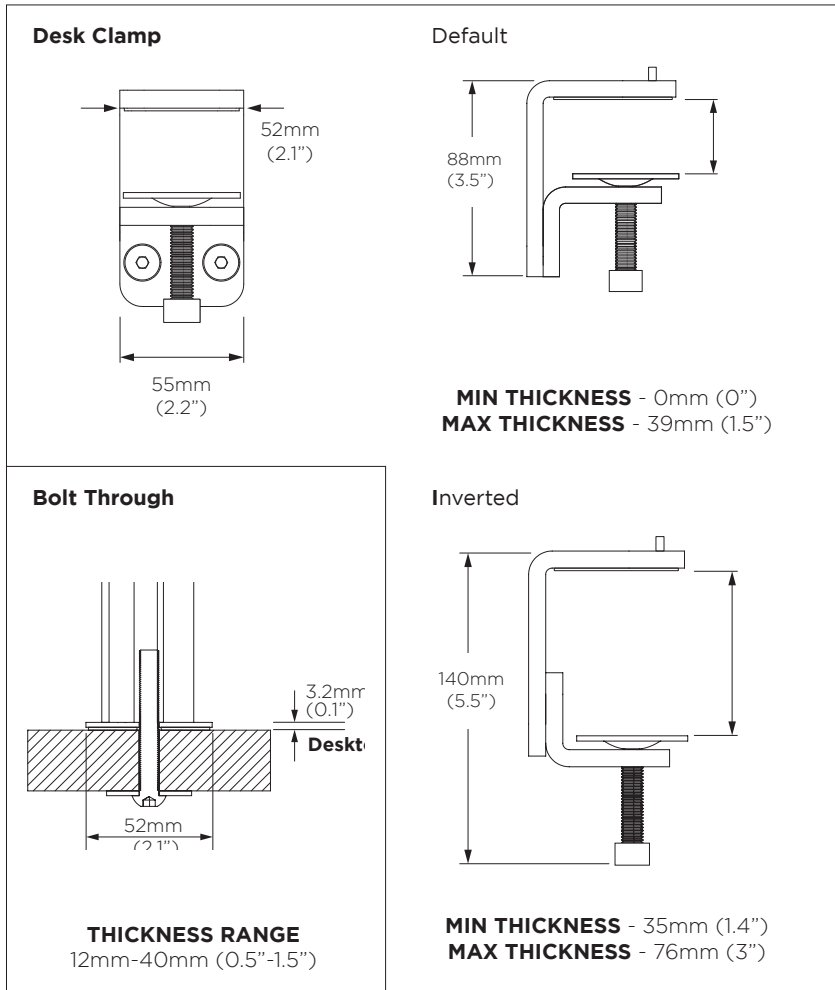


No Allen Key necessary

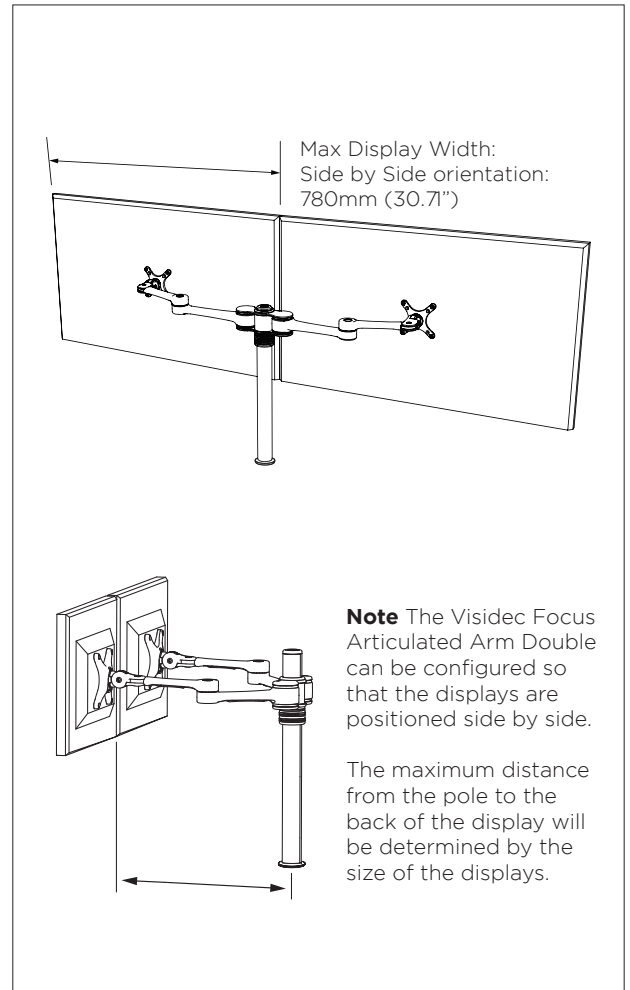
### VESA 75 x 75 / 100 x 100mm



## Mounting Options



## Side By Side



## Side By Side

