

## Single Arm Desktop Monitor Mount

### Mounting Options

Bolt Through and  
Desk Clamp

### Desk clamp

Suits desktop thicknesses  
of 0-76mm (0"-3")

### Bolt Through

Suits desktop thicknesses  
of 12-40mm (0.5"-1.5")

### Display Mounting Options

VESA 75 x 75mm

VESA 100 x 100mm

### Weight Range

**Flat monitor** 0-8kg (0 - 17.6lbs)

**Curved monitor** 0-5.5kg (0 - 12lbs)

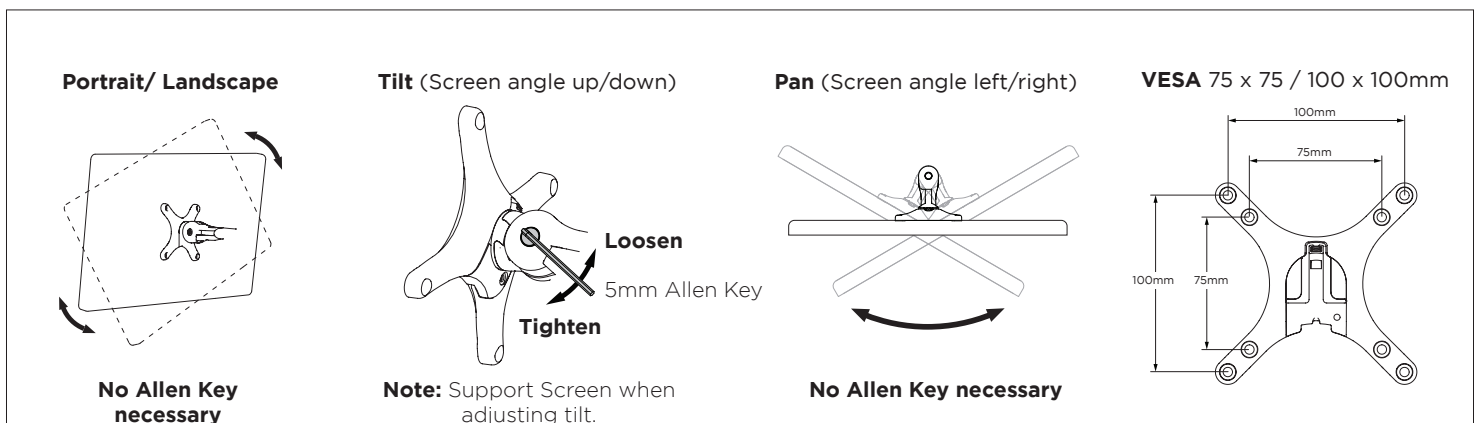
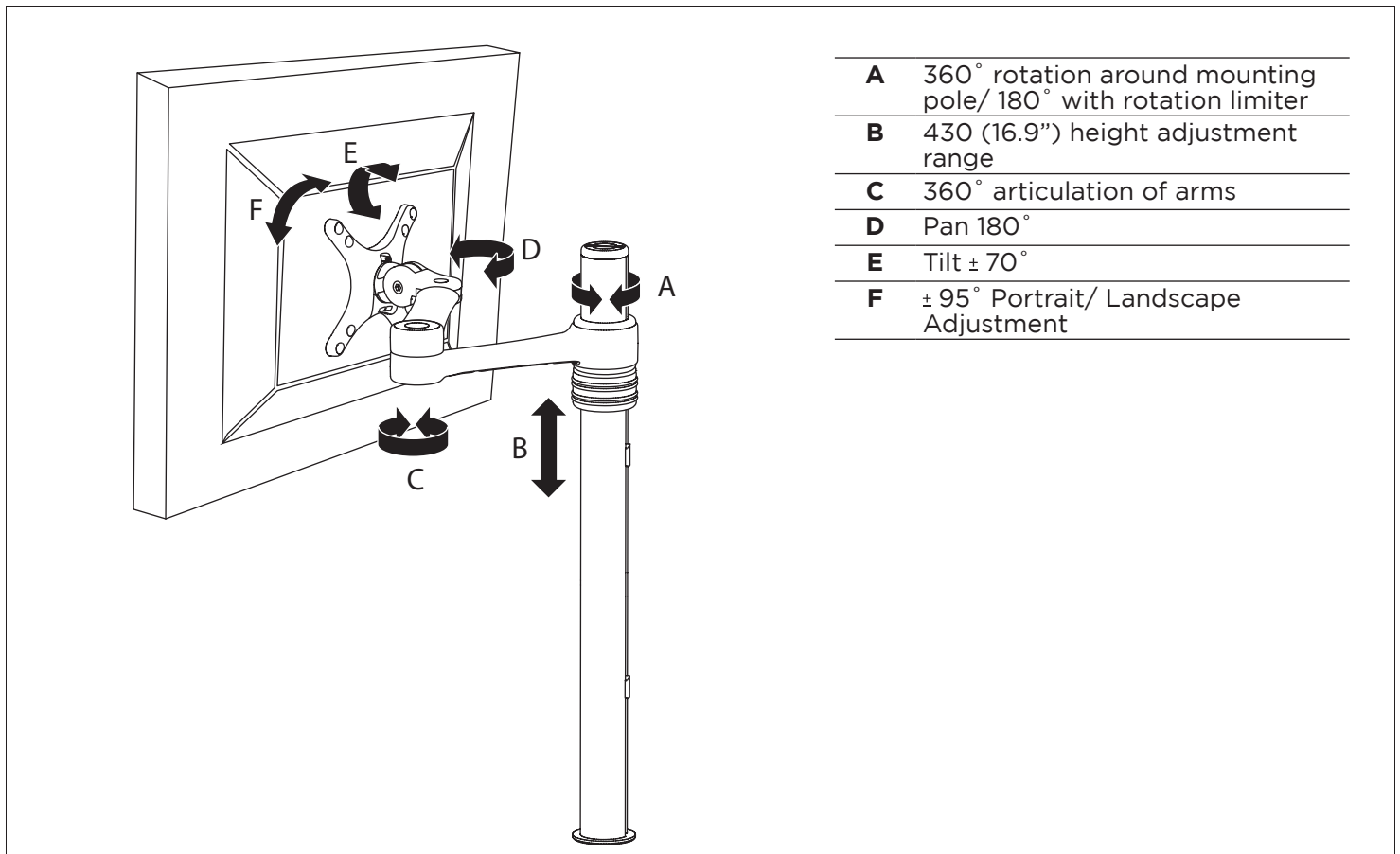
\*Curved monitors, deep devices (such as all-in-one PCs) and offset VESA locations exert additional leverage that can exceed the capacity of the mount even though the monitor weight may be within the stated range. Please contact Atdec if you would like further information.

### Consist of

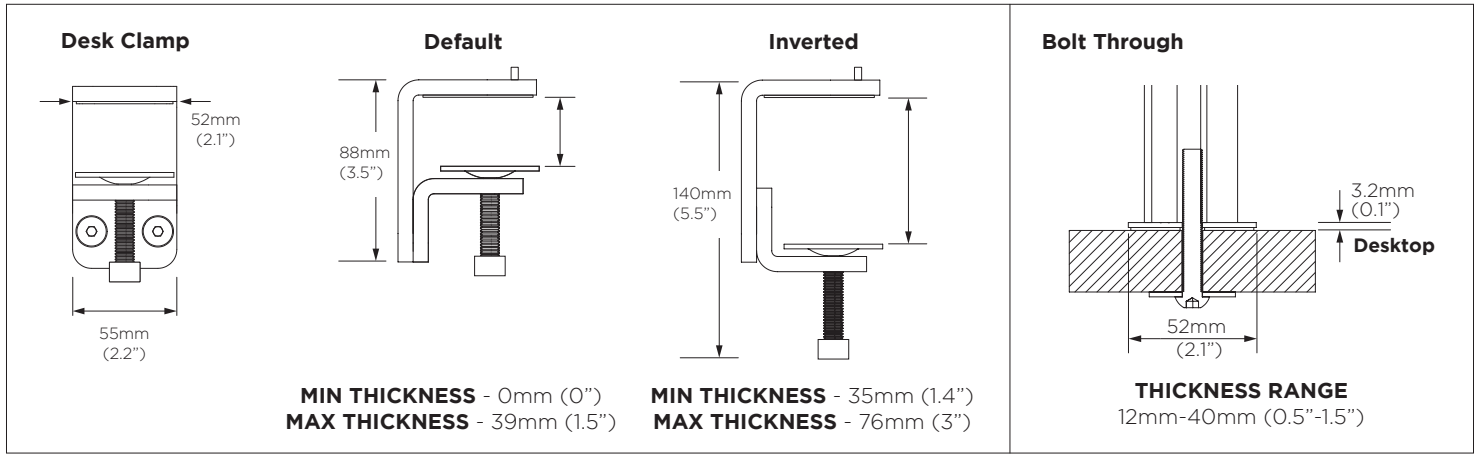
Monitor Arm  
Fasteners  
Mounting Hardware

### Warranty

10 years limited



# Mounting Options



# Overall Dimensions

