

## Micro Desktop Monitor Mount - C Clamp

### Mounting Options

Micro desktop monitor mount includes bolt through and desk clamp mounting options

### Desk clamp

Suits desktop thicknesses 10mm-34mm (3/8"-1,1/4")

### Bolt Through

Suits desktop thicknesses of 12-40mm (0.5"-1.5")

### Display Mounting Options

Suits 100x100mm and 75x75mm mounting hole patterns

### Display Weight Compatibility

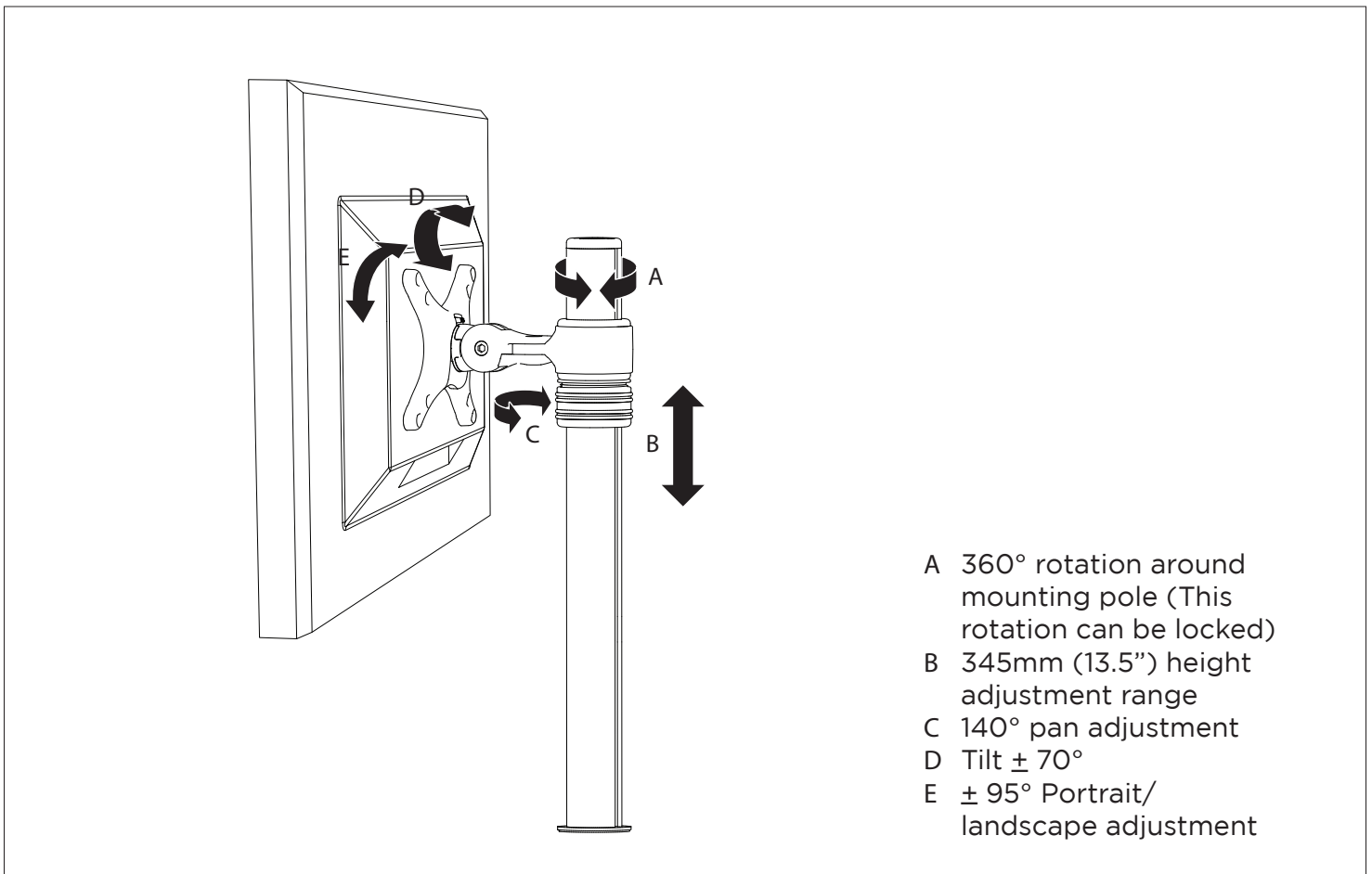
Max. 8kg (17.6lbs)

### Consist of

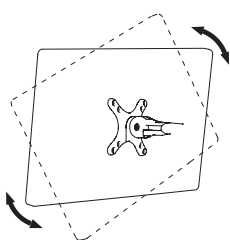
Wall mount arm  
Fasteners  
Mounting hardware

### Warranty

10 years limited

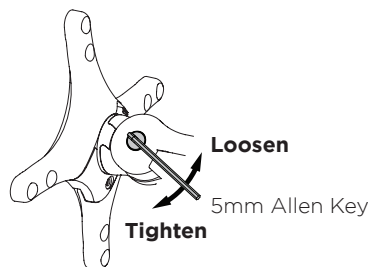


### Portrait/ Landscape



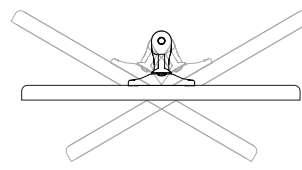
No Allen Key necessary

### Tilt (Screen angle up/down)



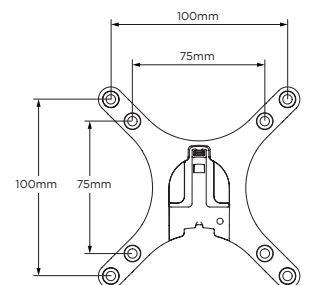
Note: Support Screen when adjusting tilt.

### Pan (Screen angle left/right)

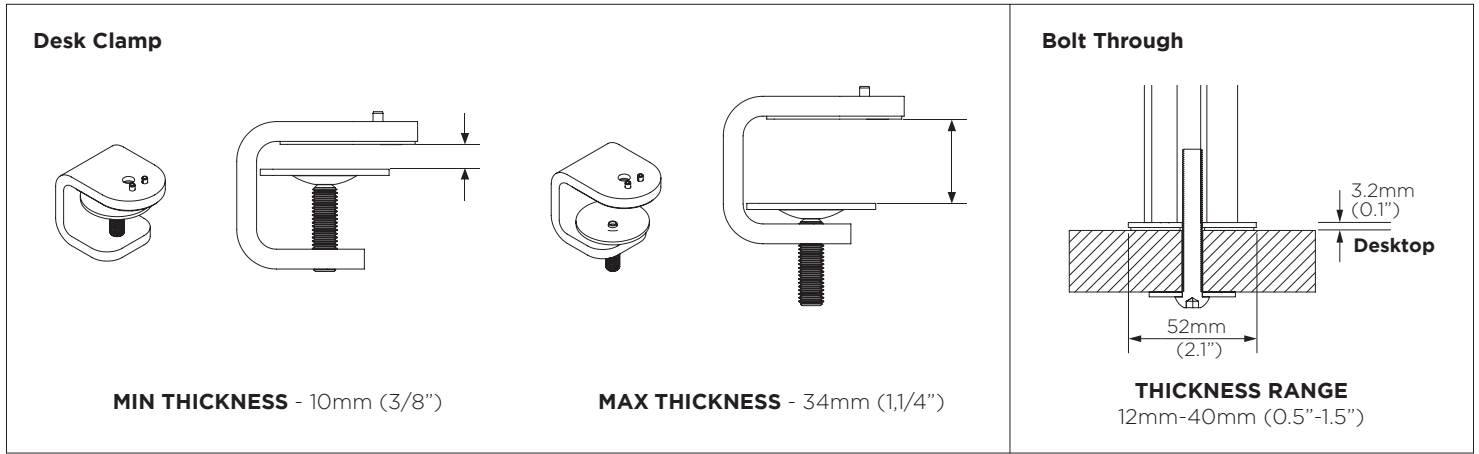


No Allen Key necessary

### VESA 75 x 75 / 100 x 100mm



# Mounting Options



# Overall Dimensions

