

Wall Direct Monitor Mount

Mounting Options

Wall direct monitor mount can be mounted directly onto timber stud or masonry wall

Display Mounting Options

VESA 75 x 75mm

VESA 100 x 100mm

Weight Range

Flat monitor 0-8kg (0 - 17.6lbs)

Curved monitor 0-5.5kg (0 - 12lbs)

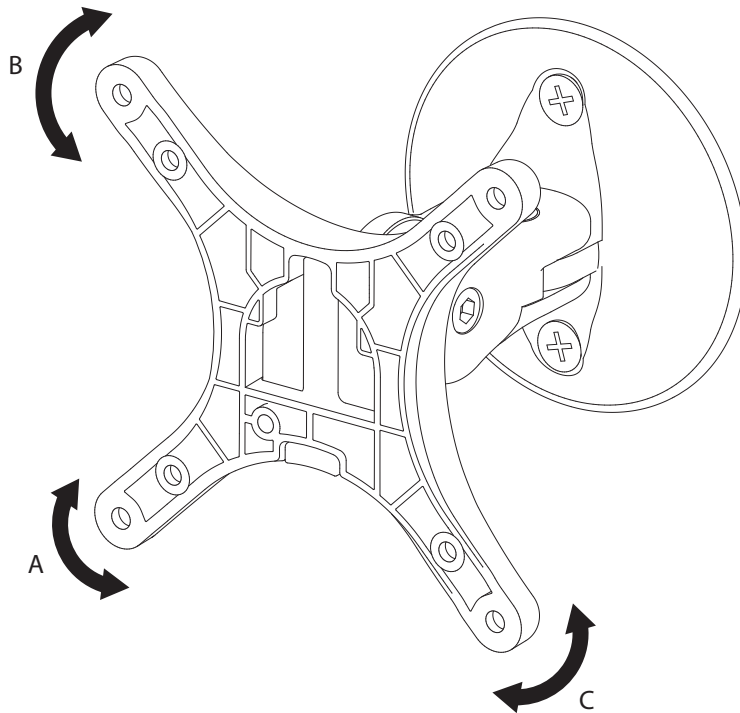
*Curved monitors, deep devices (such as all-in-one PCs) and offset VESA locations exert additional leverage that can exceed the capacity of the mount even though the monitor weight may be within the stated range. Please contact Atdec if you would like further information.

Consist of

Wall mount arm
Fasteners
Mounting hardware

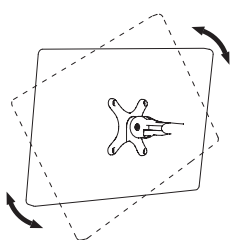
Warranty

10 years limited



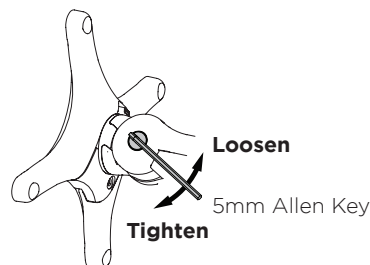
- A** Pan $\pm 45^\circ$ (with typical 34" display attached : $\pm 13^\circ$)
- B** Tilt $\pm 70^\circ$ (with typical 24" display attached : $\pm 29.5^\circ$)
- C** $\pm 95^\circ$ Potrait/ landscape adjustment

Portrait/ Landscape



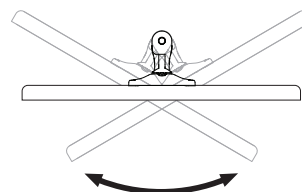
No Allen Key

Tilt (Screen angle up/down)



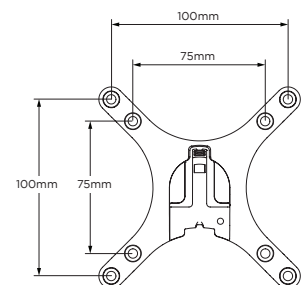
Note: Support Screen when adjusting tilt.

Pan (Screen angle left/right)



No Allen Key necessary

VESA 75 x 75 / 100 x 100mm



Overall Dimensions

