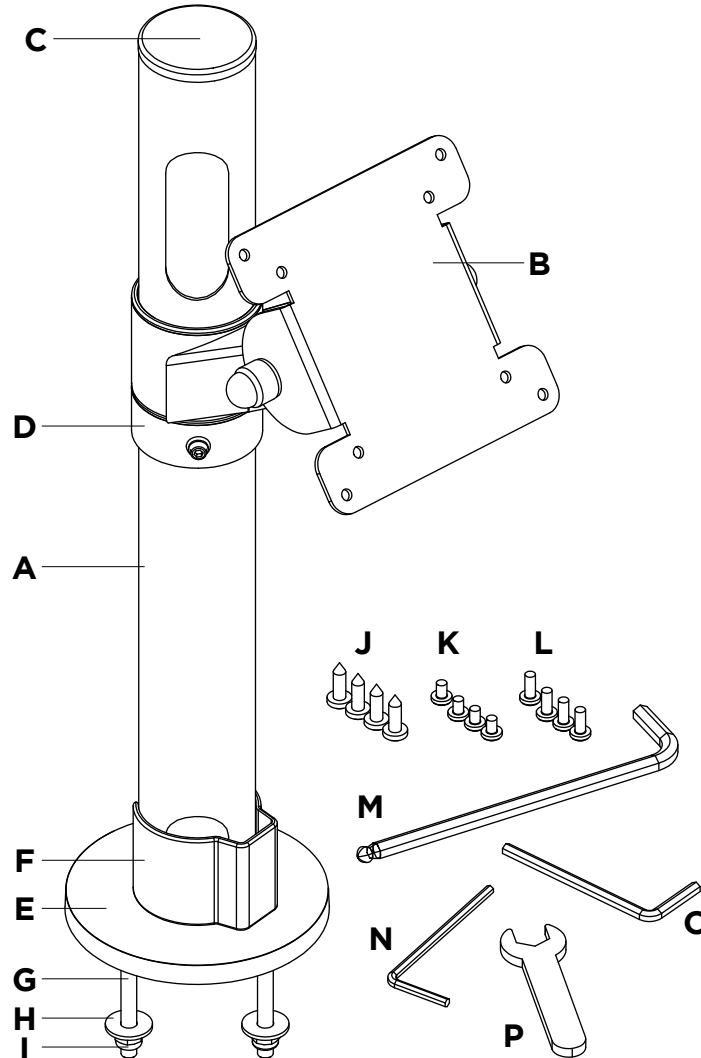


# POS Angled 400 Mount



## COMPONENT CHECKLIST

Item	Name	QTY
A	Post 400mm x 45mm	1
B	Angled Head	1
C	Post Cap 45mm	1
D	Fixing Ring	1
E	Base Cover Plate 45mm	1
F	Cable Clip 40mm	1
G	M6 x 50mm Install Screws for Mounting Base	4
H	M6 Washer for Mounting Base	4
I	M6 Nut for Mounting Base	4

Item	Name	QTY
J	Self-tapping Screws for Mounting Base	4
K	M4 x 6mm Mounting Screws	4
L	M4 x 10mm Mounting Screws	4
M	6mm Allen Key for Tilt Tightening	1
N	4mm Allen Key for Mounting Screws	1
O	3mm Allen Key for Fixing Ring	1
P	M8 Spanner for Tilt Tightening	1