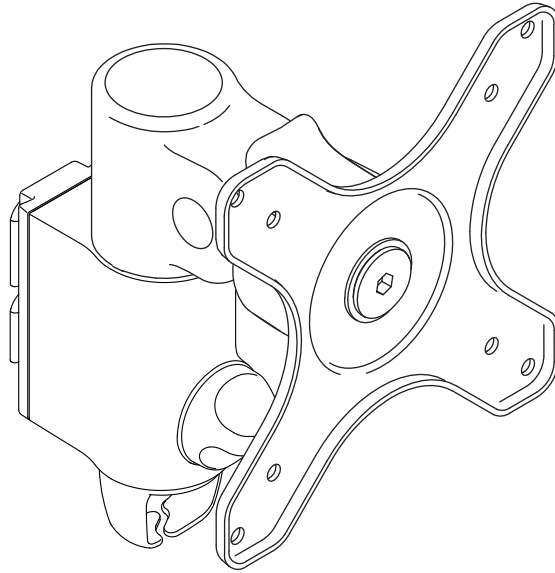
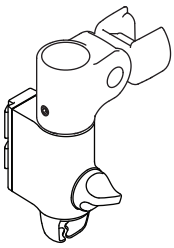


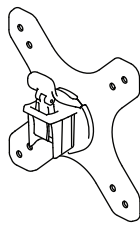
130 Arm



COMPONENT CHECKLIST



A
Monitor Arm
(x1)



B
VESA Head
(x1)



D
Screw
M4x25mm
(x4)



E
Screw
M4x16mm
(x4)



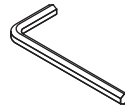
F
Screw
M4x12mm
(x4)



G
Spacer
(x4)



H
Security
Screw
(x1)



I
4mm
Hex Key
(x1)

Desk 

REQUIRED TOOLS

- Phillips Head Screwdriver

WEIGHT RANGE

Flat Monitors

0 - 12kg
(0 - 26.5lbs)

Curved Monitors

0 - 8kg
(0 - 17.5lbs)

Monitor weight should be within the weight range of all modular elements that make up the complete monitor mounting solution.

IMPORTANT INFORMATION

! Please ensure this product is installed as per these installation instructions.

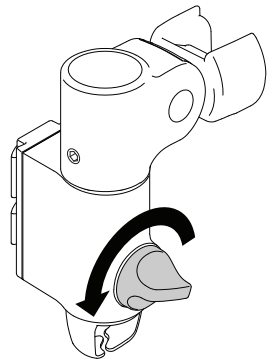
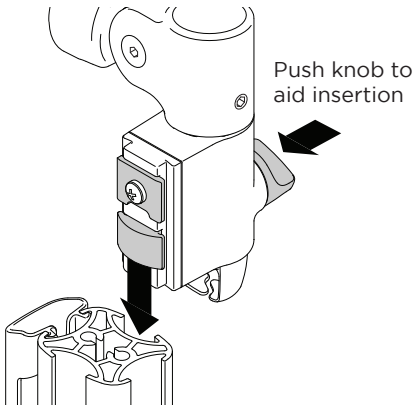
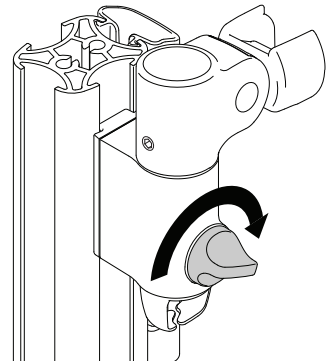
! Do not remove/ throw away the plastic cap on channel clamp.

! The manufacturer accepts no responsibility for incorrect installation.

! This product is compatible with Atdec AWM Series products.

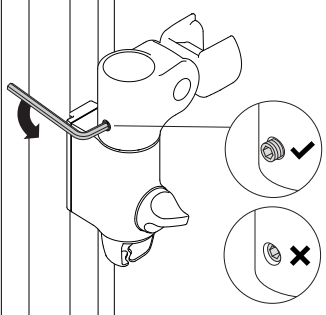
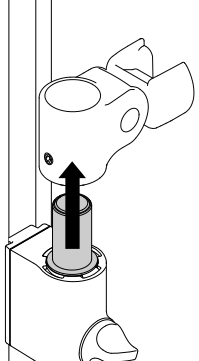
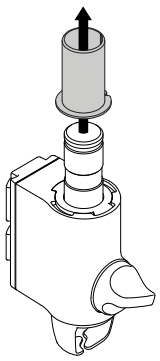
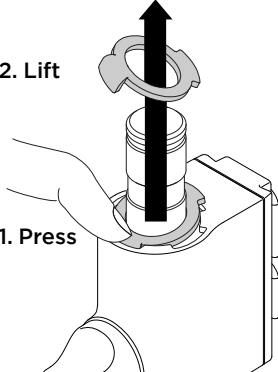
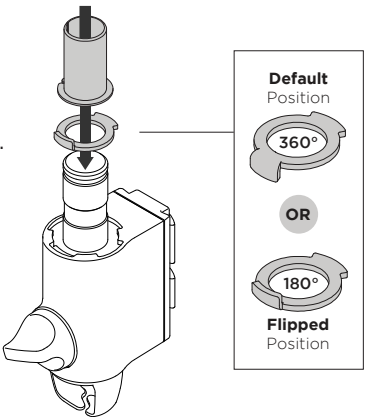
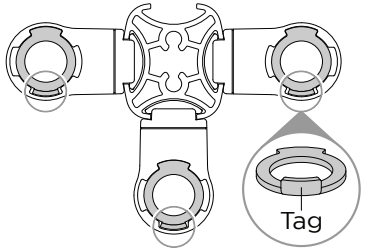
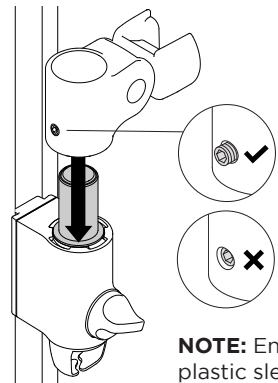
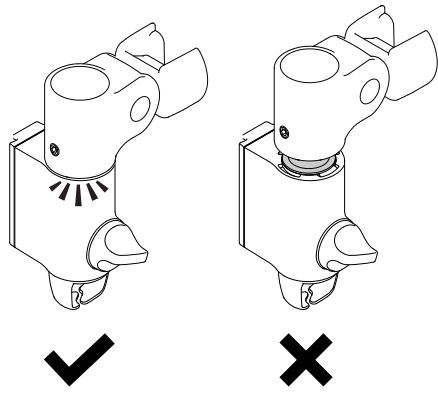
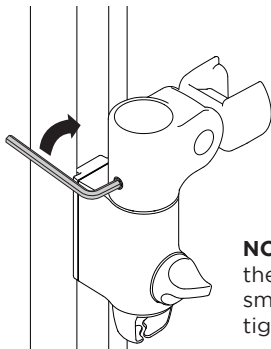
! Curved monitors, deep devices (such as all-in-one PCs), VESA mounted accessories (such as mini PC brackets and mounts), and offset VESA locations exert additional leverage that can exceed the capacity of the mount even though the monitor weight may be within the stated range. Please contact Atdec if you would like further information.

1. Fix Arm to Post or Wall Channel

<p>1.1. Ensure knob is undone.</p> 	<p>1.2. Slide post clamp into channel.</p> 	<p>1.3. Hold clamp in desired position on channel and turn knob to lock in place.</p> 
---	---	--

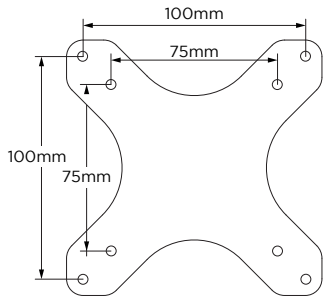
2. Set arm rotation to 180° (optional)

Note rotation is set to 360° by default.

<p>2.1. Loosen tilt head joint screw.</p> 	<p>2.2. Remove tilt head from channel clamp.</p> 	<p>2.3. Remove plastic sleeve from post clamp..</p> 
<p>2.4. Remove rotation ring.</p> 	<p>2.5. Place rotation ring in desired position and replace plastic sleeve.</p> 	<p>NOTE: Place the rotation ring depending on what post channel the arm will be attached to. The tag should always face toward the user.</p> 
<p>2.6. Fit tilt head back onto channel clamp.</p>  <p>NOTE: Ensure plastic sleeve is on shaft before fitting arm.</p>	<p>2.7. Ensure tilt head is fully pushed onto shaft.</p> 	<p>2.8. Tighten joint screw.</p>  <p>NOTE: Check the rotation is smooth after tightening.</p>

3. Attach VESA head to monitor

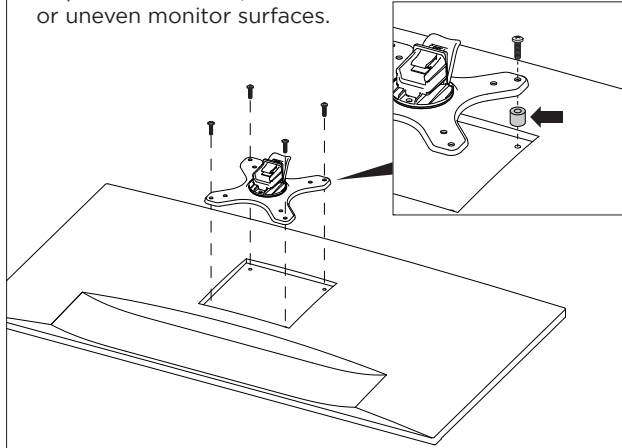
3.1. Check VESA mounting compatibility.



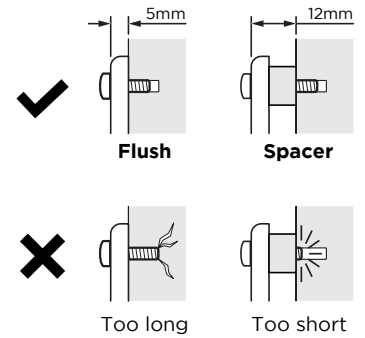
NOTE: For other sizes, use a suitable adaptor plate (sold separately).

3.2. Attach VESA head onto monitor with provided screws.

NOTE: Spacers may be required for curved, recessed or uneven monitor surfaces.

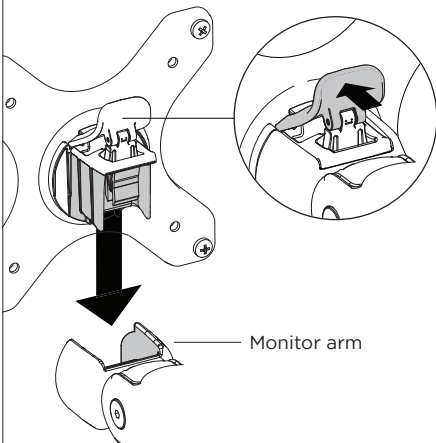


NOTE: Be sure to use a screw length that suits the monitor.

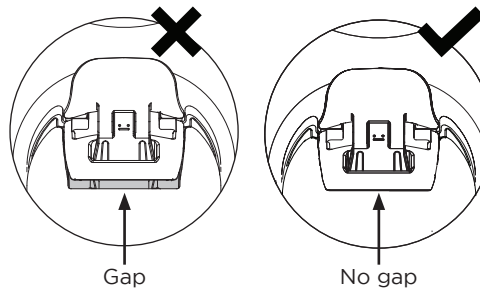


4. Mount monitor

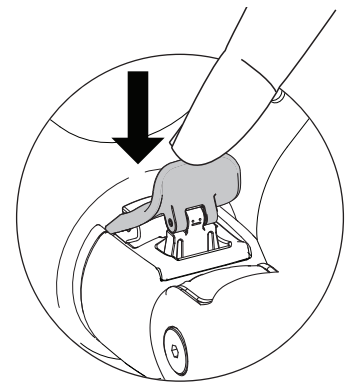
4.1. Insert VESA head into the monitor arm.



4.2. Ensure that the VESA head sits flush within the monitor arm. There should be **no** gap.

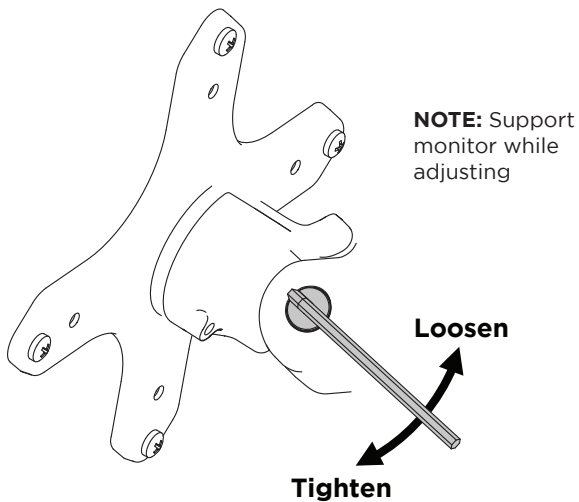


4.3. Push the lever down to secure it to the arm assembly.



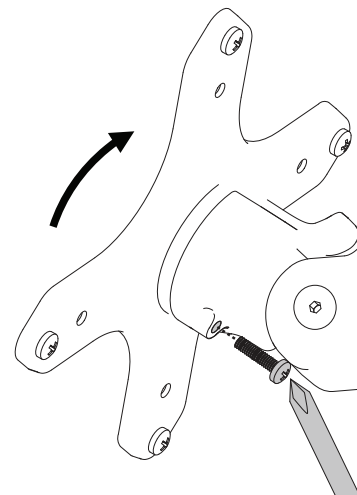
5. Adjust tilt tension & Install security screw

5.1. Use the allen key to adjust the tilt tension until the monitor holds in a vertical position at the end of the arm.



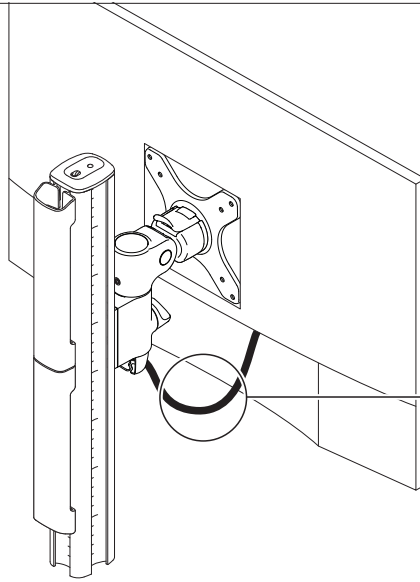
NOTE: Support monitor while adjusting

5.2. (OPTIONAL) To install the optional security screw tilt the head upwards.



6. Monitor arm cable management

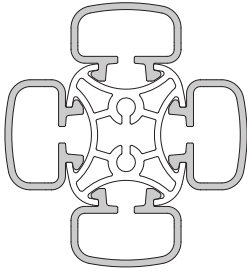
6.1. Plug cables into the monitor and route the cables down the arm using the cable hooks and clips.



Ensure enough cable slack is given to allow for movement of the monitor

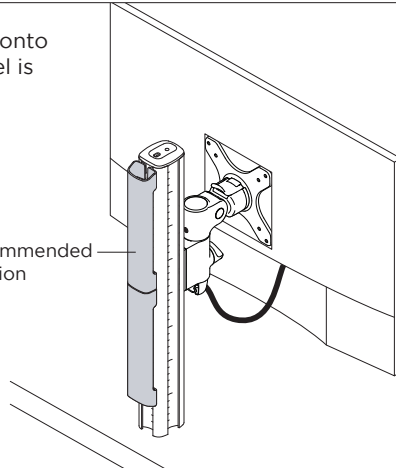
7. Post cable management

7.1. Cable clips and covers can be clipped onto any post channel however the rear channel is recommended for good concealment.

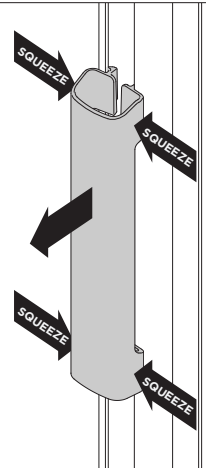


Optional cable cover positions

Recommended Position

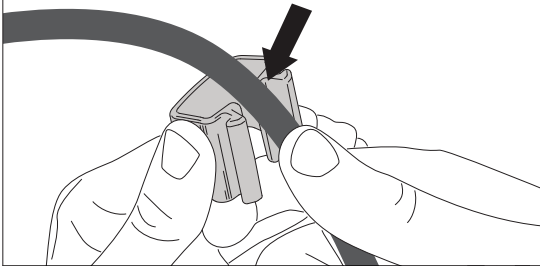


7.2. To route cables down post, start by removing the post's cable covers and clips.

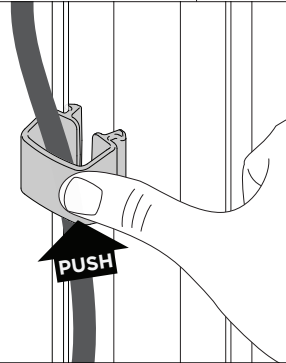


CABLE CLIPS

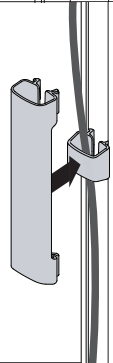
7.3. Load cables into cable clip.



7.4. Insert one side of the cable clip into a channel on the post, then push in the other side.



7.5. (OPTIONAL) Cable covers can be clipped on over the cable clips.

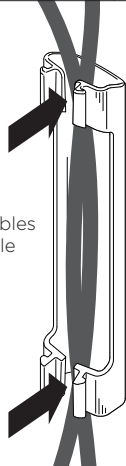


CABLE COVERS

7.6 Load cables into cable cover.

HINT: Cable covers have greater cable capacity.

Load cables into cable cover



7.7 Clip the cable cover onto any of the four post channels.

Cables can exit from the side of the cable cover

