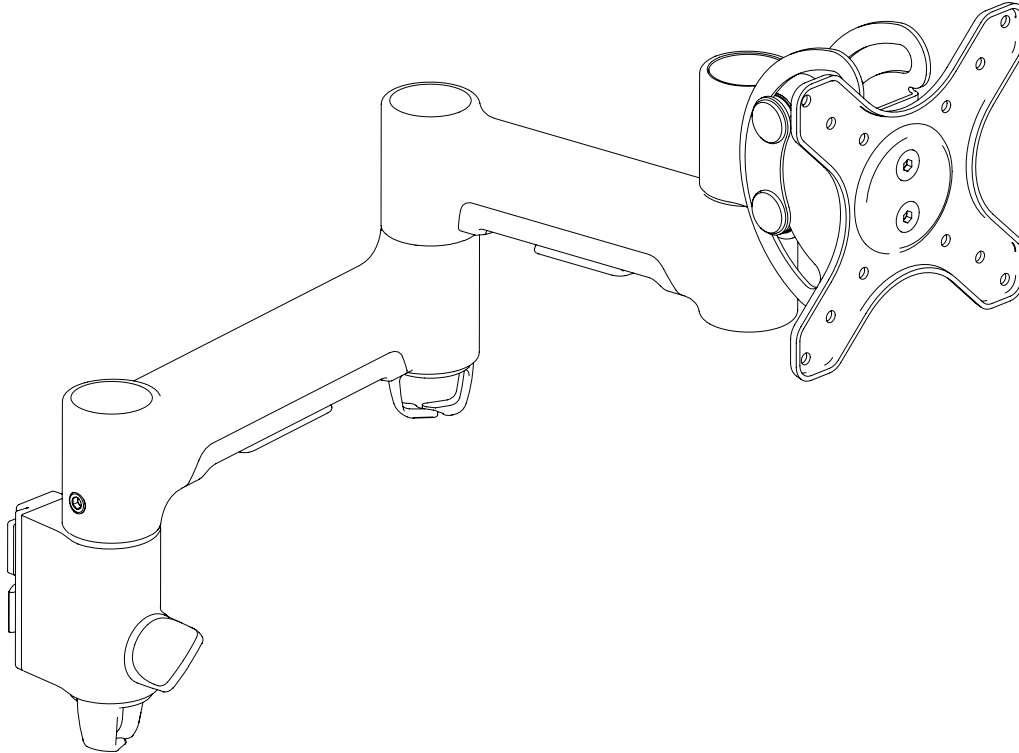


AWM 460 Arm Heavy Duty



FEATURES

- 460mm 'set and forget' monitor arm with Heavy Duty VESA Tilt Head with Channel Clamp included to easily mount heavy displays to posts in the AWM modular product family.
- Heavy Duty VESA Tilt Head (AWM-LTH), 460 Arm (AWM-A46) and Channel Clamp (AWM-LC) are available separately
- Toolless display position and viewing angle control via tilt/pan/height.
- Balanced tilt mechanism for larger and heavier monitors.
- Adjustable landscape/portrait orientation rotation, lockable for safety during installation.
- Integrated 180° rotation limiter to prevent interference with desk mounted panels and dividers.
- Cable management with generous capacity guides cables discreetly down the arm to the work surface.

Monitor Weight Range	(per monitor)
Flat Monitors	0 - 14kg (0 - 31lb)*
Curved Monitors	0 - 12kg (0 - 26.5lb)*
Max. Overall Monitor Depth	210mm (8.27")
Tilt Angle	55° upward 35° down
Monitor rotation	180°
VESA mounting	75x75 100x100

*Monitor weight should be within the weight range of all modular elements that make up the complete monitor mounting solution.

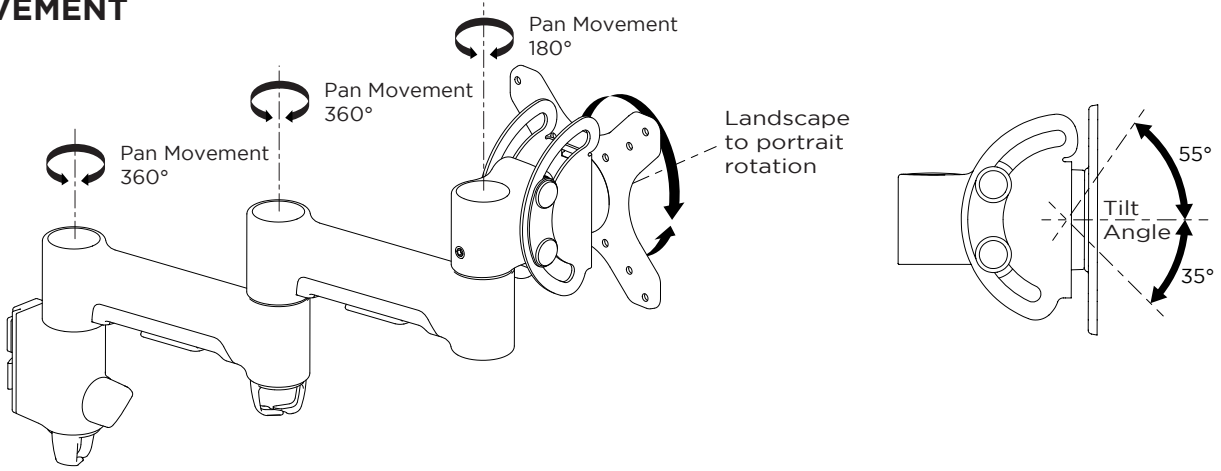
*460 Arm Heavy Duty (AWM-A46H) is not compatible with the Wall Channel products (including AWM-W6 and AWM-W35)

*Curved monitors, deep devices (such as all-in-one PCs) and offset VESA locations exert additional leverage that can exceed the capacity of the mount even though the monitor weight may be within the stated range. Please contact Atdec if you would like further information.

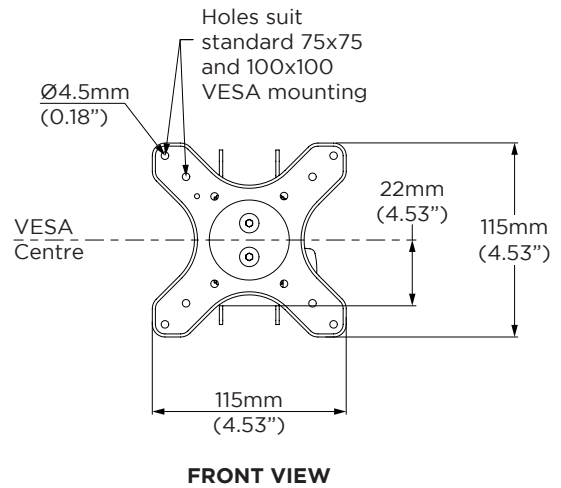
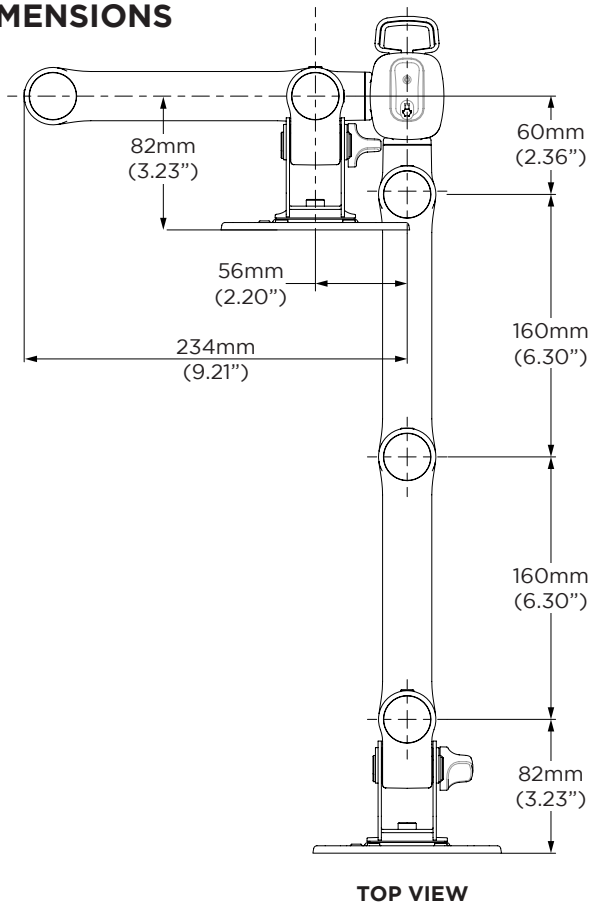
WARRANTY

10 years limited

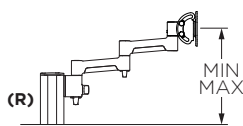
MOVEMENT



DIMENSIONS

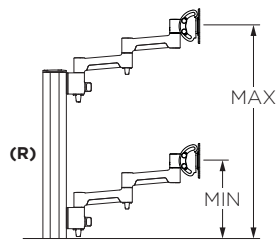


135 Post AWM-P13



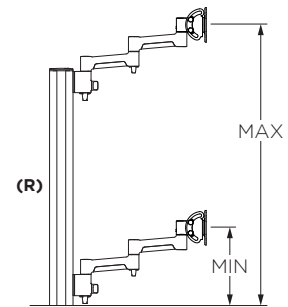
MIN HEIGHT 238mm (9.37")
MAX HEIGHT 291mm (11.46")
RANGE (R) 53mm (2.09")

400 Post AWM-P40



MIN HEIGHT 238mm (9.37")
MAX HEIGHT 556mm (21.89")
RANGE (R) 318mm (12.52")

750 Post AWM-P75



MIN HEIGHT 238mm (9.37")
MAX HEIGHT 906mm (35.67")
RANGE (R) 668mm (26.30")