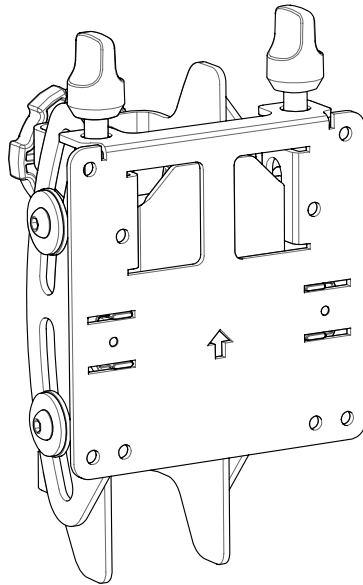
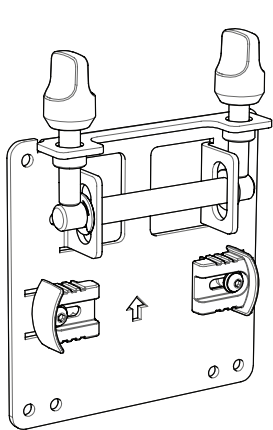


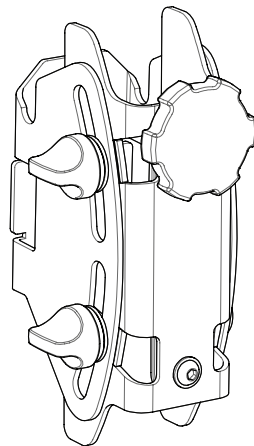
AWM Tilt Bracket



COMPONENT CHECKLIST



A
VESA Plate
(x1)



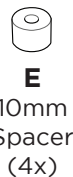
B
Bracket
(x1)



C
M4x10mm
Screw
(x4)



D
M4x20mm
Screw
(x4)



E
10mm
Spacer
(x4)



F
4mm
Hex Key
(x1)



REQUIRED TOOLS

- Phillips Head Screwdriver

CAPACITY

Flat Monitor
4.5 - 25kg (10 - 55lb)

Curved Monitor
4.5 - 18kg (10 - 40lb)

Display Size
24" - 57"
340mm (13.4") max overall
curved display depth

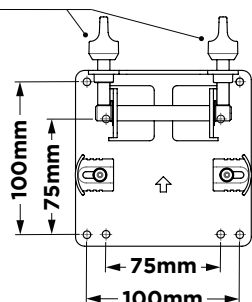
IMPORTANT INFORMATION

- ! **Please ensure this product is installed as per these installation instructions.**
- ! Each Tilt Bracket supports a maximum weight as per above capacity specification.
- ! Avoid applying downward load to corners of display.
- ! This product is not suitable for outdoor use.
- ! Do not use this product for mobile applications.
- ! The manufacturer accepts no responsibility for incorrect installation.
- ! This product is compatible with Atdec AWM Series products.
- ! Curved monitors, deep devices (such as all-in-one PCs), VESA mounted accessories (such as mini PC brackets and mounts), offset VESA locations, and unevenly weighted monitors (relative to the center of the VESA mounting interface) exert additional leverage that can exceed the capacity of the mount even though the monitor weight may be within the stated range. Please contact Atdec if you would like further information.
- ! **WARNING!** Death or serious injury may occur if a child climbs on or tips product.

1. Attach VESA plate to display

1.1 VESA compatibility

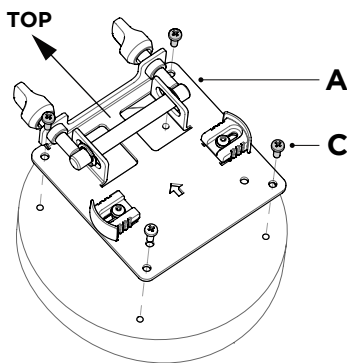
For 75mm VESA unscrew 5mm to access top holes.



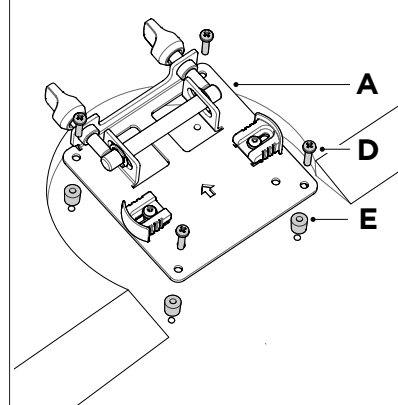
NOTE:

Some displays require the use of a VESA adapter before attaching the VESA plate. This VESA adapter may ship in the box with the display. Consult your display's installation guide for further information.

Option A Attach VESA plate with M4x10mm screws.

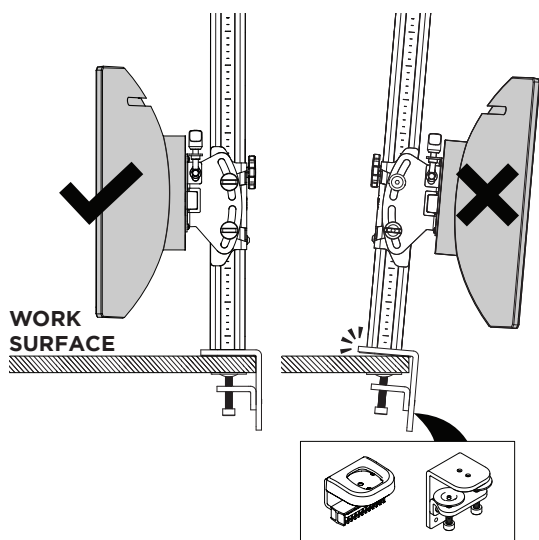


Option B For recessed VESA use 10mm spacers and M4x20mm Screws.

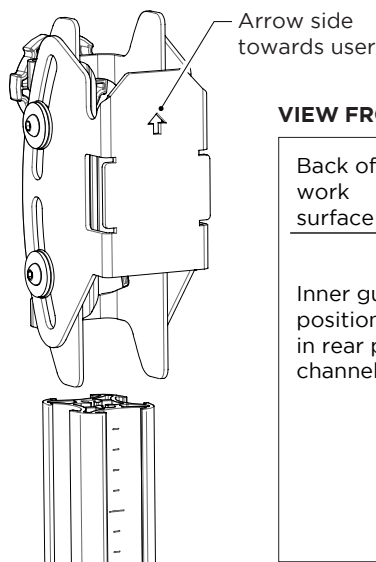


2. Slide bracket onto post and set height

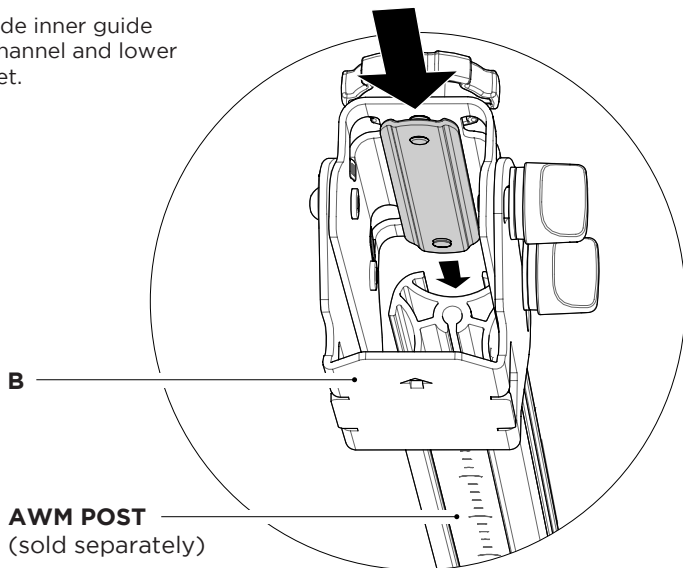
2.1 Tilt bracket must only be attached with display facing the front of the mounting surface unless fixing is Grommet Clamp (AC-GC).



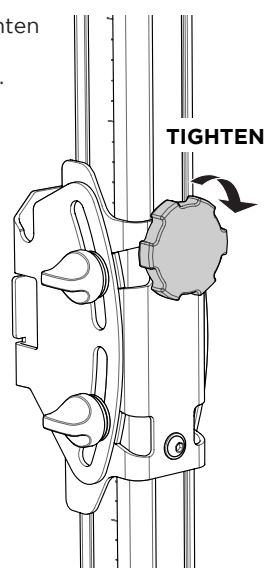
2.2 Line up the inner guide on rear of bracket with rear channel on post.



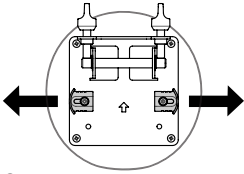
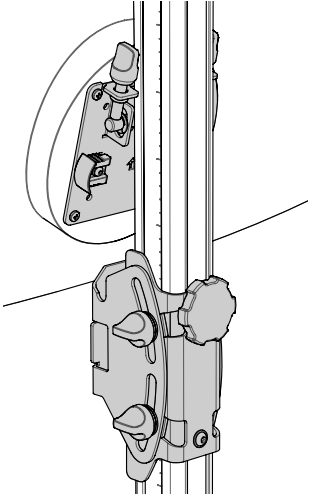
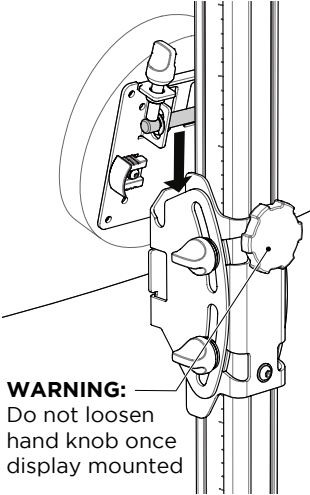
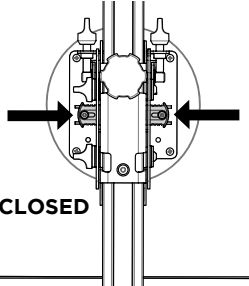
2.3 Slide inner guide into channel and lower bracket.



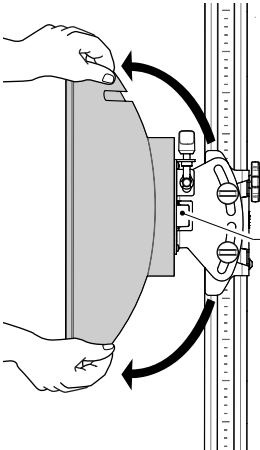
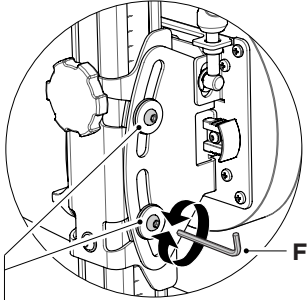
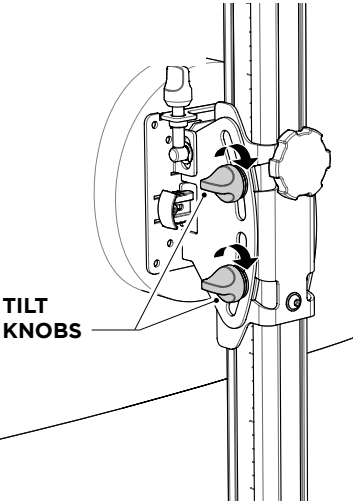
2.4 Firmly tighten hand knob at chosen height.



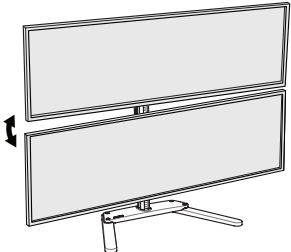
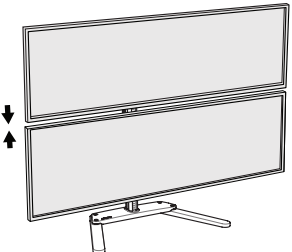
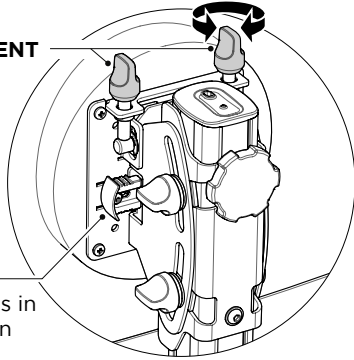
3. Attach display

<p>3.1 Set VESA plate clips to open position.</p>  <p>OPEN</p> <p>WARNING: Use two people to install display</p>	<p>3.2 Lift display until VESA plate is above the height of the bracket.</p> 	<p>3.3 With post centered slowly lower display until bar on VESA plate sits in saddle in bracket.</p>  <p>WARNING: Do not loosen hand knob once display mounted</p>	<p>3.4 Set VESA plate clips to closed position.</p>  <p>CLOSED</p> <p>NOTE: Display hangs from the bracket like a painting. After clips are closed, if corners of the screen are pushed downwards, rocking movement is expected.</p>
--	---	---	--

4. Set tilt

<p>4.1 Adjust display tilt angle by gripping edges of screen and rolling up or down to desired position.</p>  <p>WARNING: Ensure clips closed before tilting</p>	<p>OPTIONAL ADJUSTMENT - TILT FRICTION</p> <p>4mm hex key can be used to reduce tilt friction (for light screen) or increase tilt friction (for heavy screen).</p>  <p>Clockwise = More friction Anti-clockwise = Less friction</p>	<p>4.2 Tighten tilt knobs to set.</p>  <p>TILT KNOBS</p>
---	---	--

5. Fine adjustment

<p>5.1 To correct horizontal angle of display +/- 2°:</p> <p>Turn a single fine adjustment knob to adjust angle of display.</p> <p>TIP: For extra precision use a spirit level</p> 	<p>5.2 To close small gap between displays +/-6mm (1/4"):</p> <p>Turn both fine adjustment knobs - alternating sides a few rotations at a time.</p> 	<p>Clockwise = Higher Anti-clockwise = Lower</p> <p>FINE ADJUSTMENT KNOBS</p>  <p>NOTE: Ensure slide clips in CLOSED position</p>
--	--	---