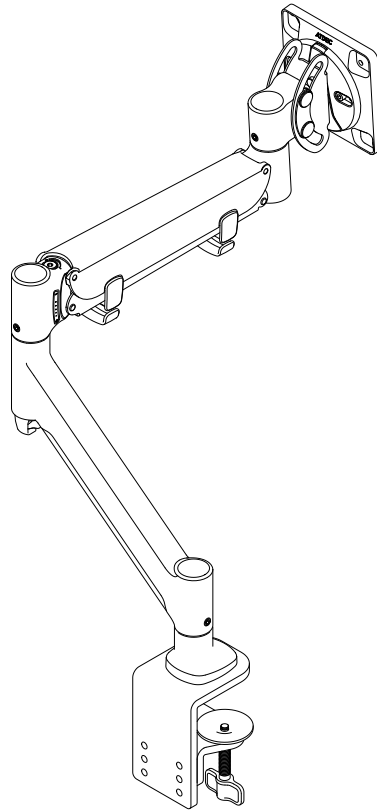


Fortis Monitor Arm



FEATURES

- Complete, fully featured monitor arm for a single curved display up to 12kg or flat display up to 16kg.
- Effortless counterbalance vertical adjustment with an easy-to-read gauge for fast bulk deployments for larger, heavier monitors.
- Integrated, toolless 180° arm rotation limiter to prevent interference with walls and workstation dividers.
- Adjustable portrait-to-landscape rotation tension.
- Cable management with generous capacity, guides cables discreetly down the arm to the work surface.
- Supplied with desk clamp, dynamic arm, VESA plate, and display mounting fasteners.
- Compatible with AWM-FC and AC-GC (sold separately).

Display Capacity

Flat display

6 - 16kg (13 - 35lb)*

Curved display

6 - 12kg (13 - 26.5lb)

Horizontal adjustment

444mm (17.48")

Vertical adjustment

342mm (13.46") Dynamic

Tilt adjustment

+ 35° | - 30°

Display rotation

+/- 95°

VESA mounting

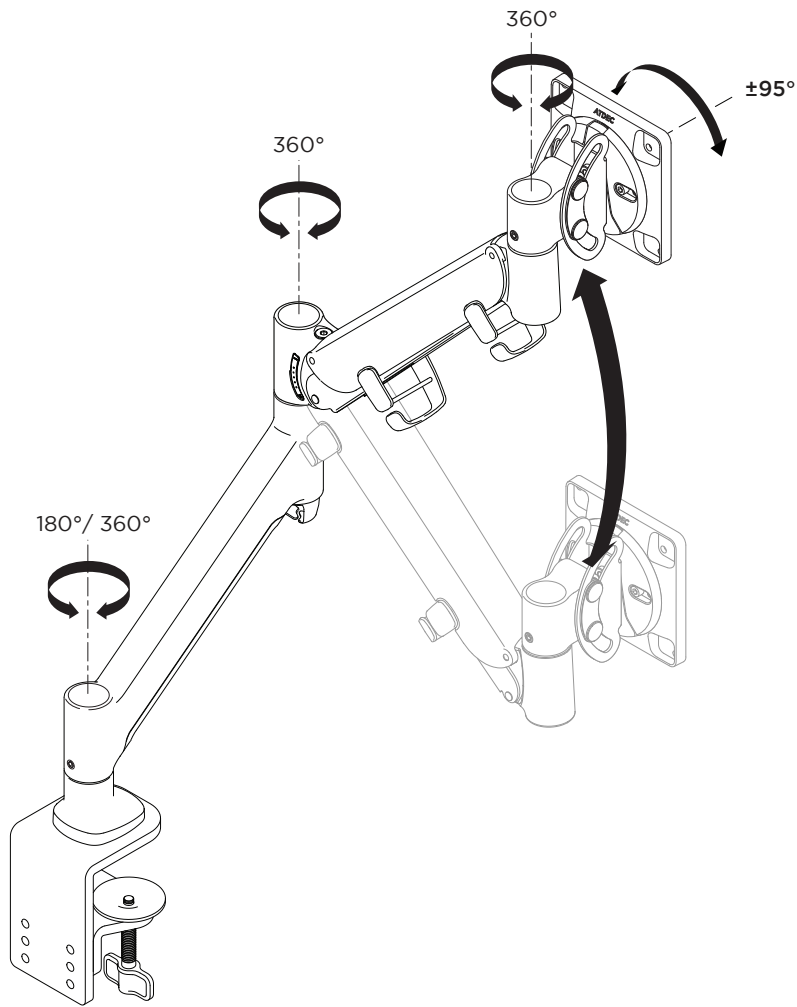
75x75 | 100x100

*Deep devices (such as all-in-one PCs) and offset VESA locations exert additional leverage that can exceed the capacity of the mount even though the monitor weight may be within the stated range. Please contact Atdec if you would like further information.

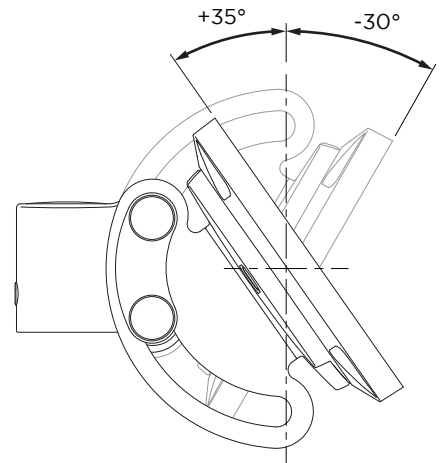
WARRANTY

10 years limited

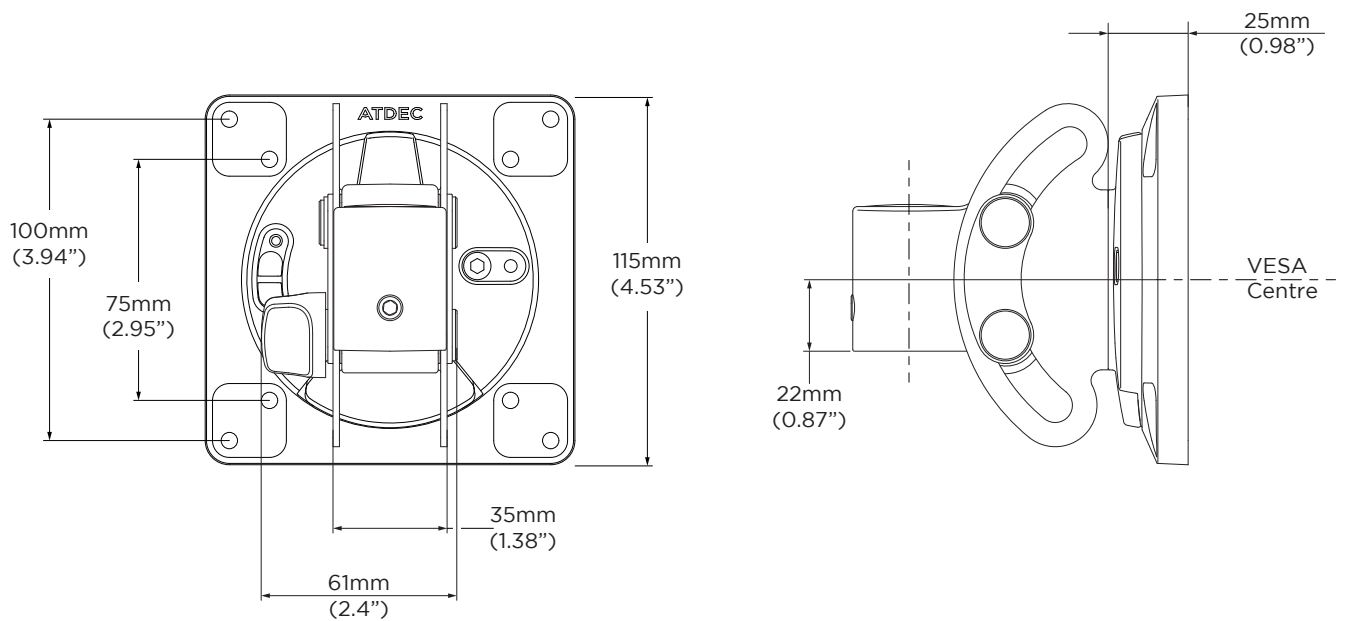
MOVEMENT



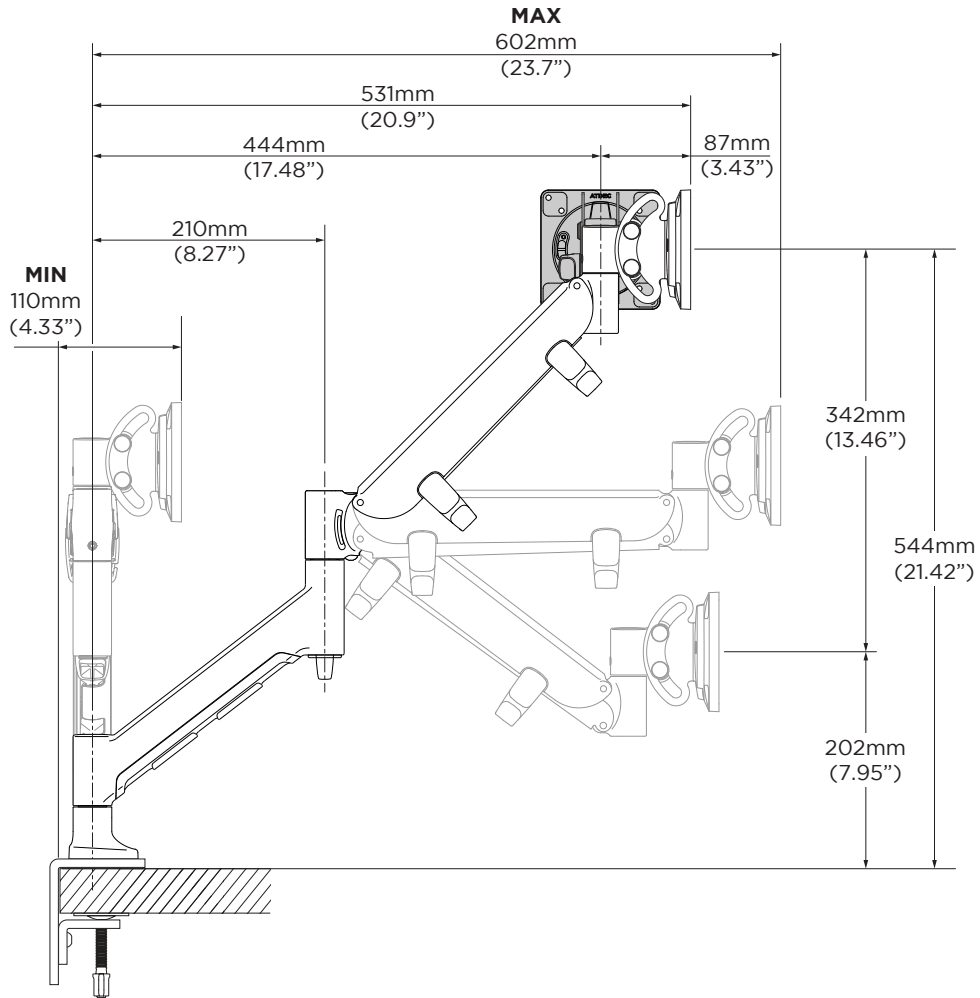
TILT ANGLE



DIMENSIONS - VESA HEAD



DIMENSIONS - DYNAMIC ARM



DIMENSIONS - HEAVY DUTY F-CLAMP

