

TH-1040-CT

Display ceiling mount

The TH-1040-CT ceiling mount is designed for small to medium size displays. It is ideal for retail and commercial environments, offering exceptional durability and multiple display adjustment options. Available in black or white, short or long telescopic pole options.



Ceiling mounting solutions

Height adjustable pole

- TH-1040-CTS: 15.75" - 35.43"
- TH-1040-CTL: 35.43" - 70.87"



Ball joint mechanism allows display adjustment of up to 20° in any direction

Landscape to portrait display rotation

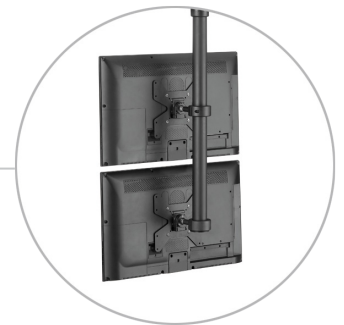
Advance Cable Management



75 x 75, 100 x 100
200 x 100, 200 x 200



55lb per display



Dual Display option for vertical or back to back configuration

Display rotation around the pole: 360° or fixed

Quick release/attachment display mechanism with security screw



Available in black or white

10 year warranty



Ordering TH-1040-CT

Code	Pole length, inch	Colour	Dual display configuration (available in black only)
TH-1040-CTS	15.75" - 35.43"	Black	Dual back-to-back: add TH-1040-CT-B2B kit
TH-1040-CTL	35.43" - 70.87"	Black	Dual vertical: add TH-1040-CT-B2B and TH-1040-CT-RCK kits
TH-1040-CTSW	15.75" - 35.43"	White	
TH-1040-CTLW	35.43" - 70.87"	White	



Atdec Uncover™ is where our infinite mounting possibilities become your specific mounting solutions.



Call us on 888 303 4252 to discuss your next project or visit atdec.com/digital-signage