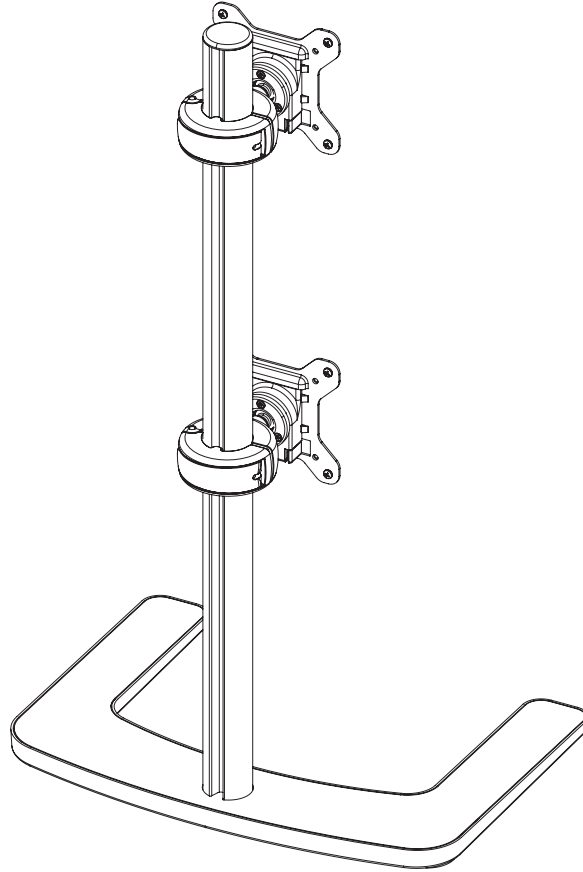


Freestanding Dual Vertical



FEATURES

- Supports two monitors up to 38" (see dimensions below and weight rating to confirm monitor size is suitable for this mount).
- Quick monitor release/attachment mechanism.
- Generous cable management guides cables discreetly down to the work surface.
- Switch to a single monitor mount by removing one donut.
- Compatible with Grommet Clamp (AC-GC) for bolt through or grommet installation.

Monitor weight

Flat
Curved

per monitor
0-12kg (0 - 26.5lb)*
0-9kg (0 - 20lb)*
120mm (4.75") max
overall monitor depth

Max Vertical Height

741mm (29.17")

Tilt angle

+/- 20°

Monitor rotation

360°

VESA mounting

75x75 | 100x100

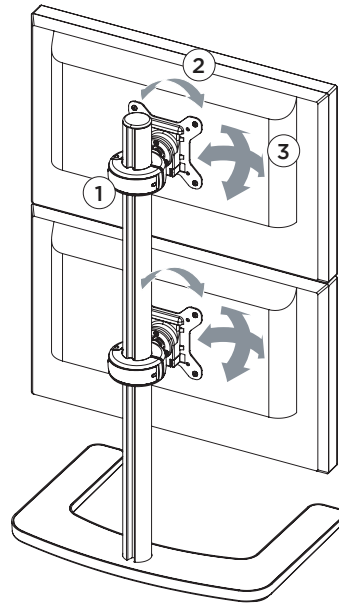
*Curved monitors, deep devices (such as all-in-one PCs), VESA mounted accessories (such as mini PC brackets and mounts), and offset VESA locations exert additional leverage that can exceed the capacity of the mount even though the monitor weight may be within the stated range. Please contact Atdec if you would like further information.

WARRANTY

10 years limited

MOVEMENT

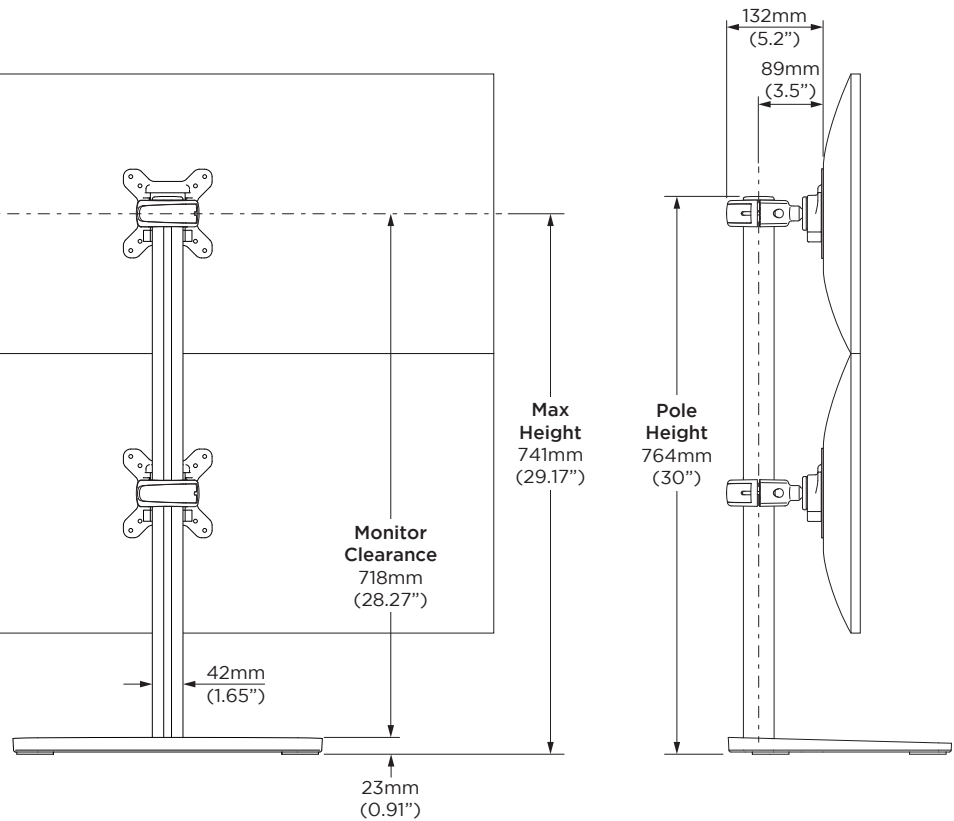
1. Vertical height adjustment
2. 360° Portrait/Landscape adjustment
3. ±20° Pan/Tilt adjustment



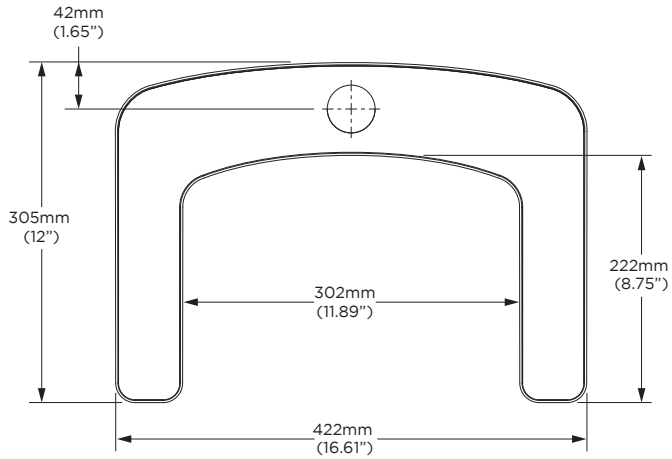
DIMENSIONS

MAX HEIGHT PER MONITOR*
450mm (17.72")
edge to edge.

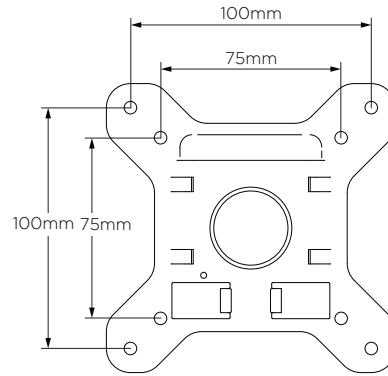
*All monitors same dimensions
with VESA mount centrally
located on rear face of monitor.



BASE DIMENSIONS



VESA DISPLAY MOUNTING OPTIONS



OPTIONAL CONFIGURATIONS

