

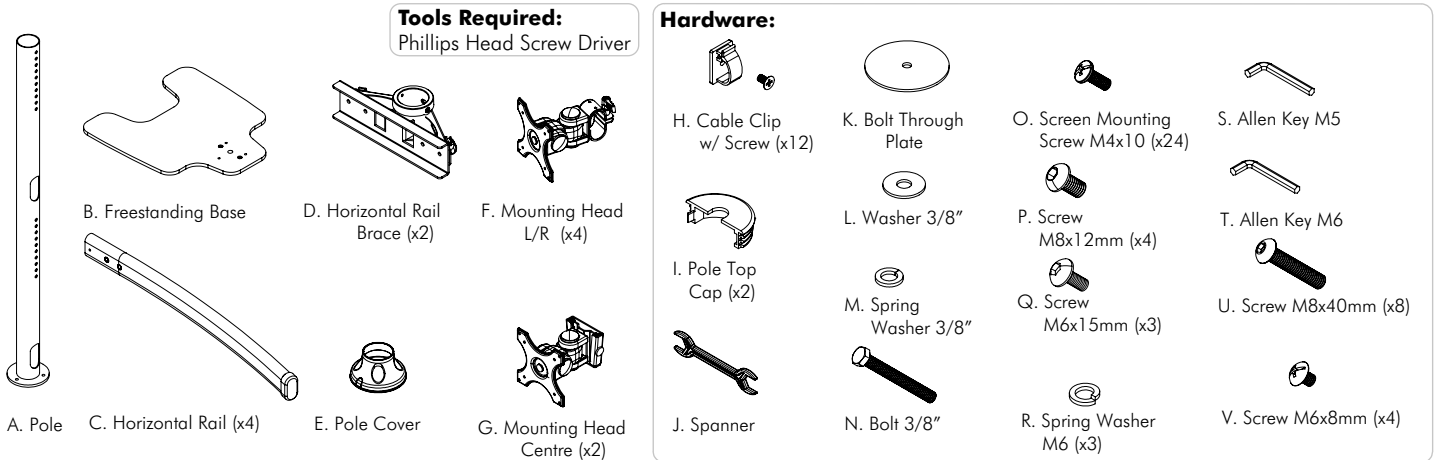
Installation Instructions

Spacedec

Spacedec Freestanding Hex

Component Checklist

Check you have received all parts against the component checklist and Hardware.

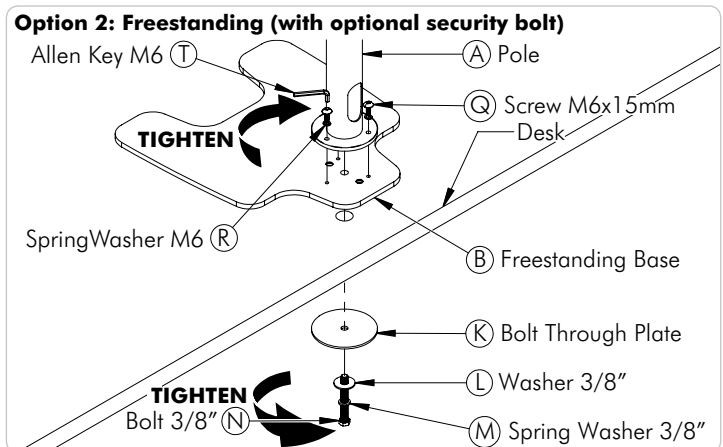
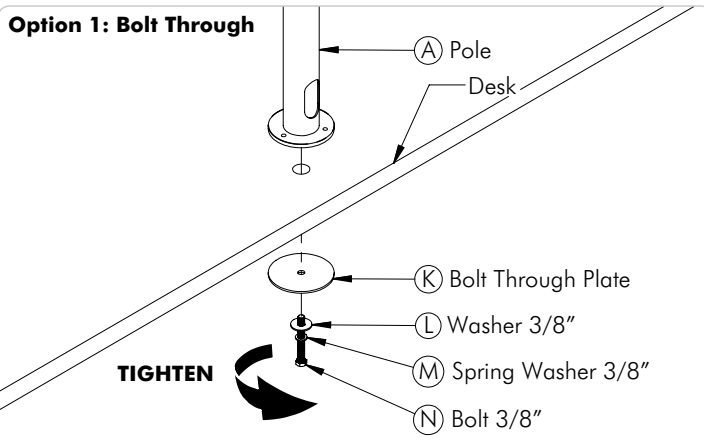


IMPORTANT INFORMATION:

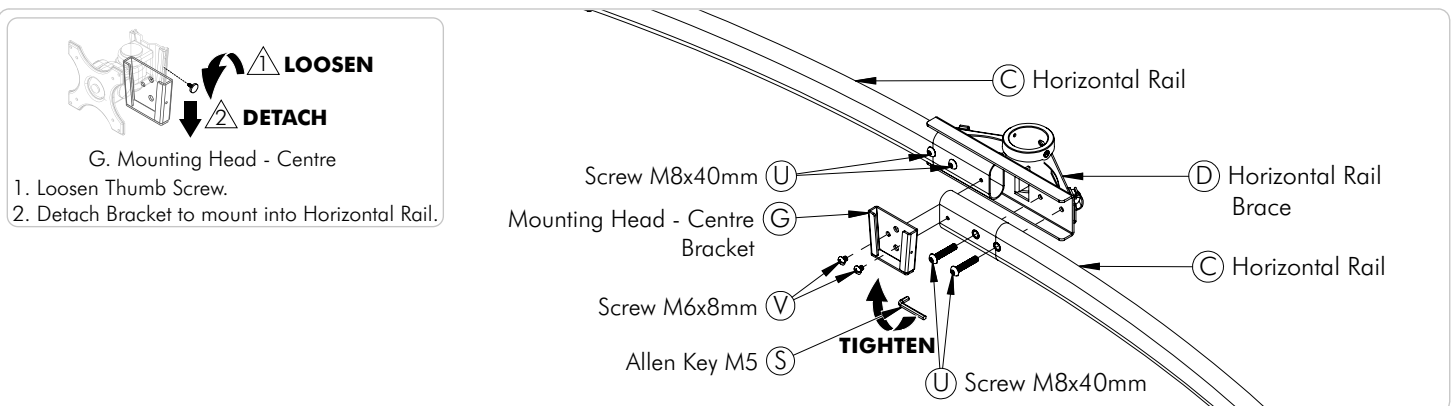
! IMPORTANT - Install Spacedec Free Standing Hex as per Installation Instructions.

- ! This product supports a maximum load of 8kg (17.5lbs) in each screen.
- ! This product supports VESA mounting hole configurations: 75x75mm and 100x100mm.
- ! This product is designed to support six screens of similar weight & size when configured to use the freestanding base.
- ! Using less than six screens may result in the stand becoming unbalanced & unstable.
- ! The manufacturer accepts no responsibility for incorrect installation.

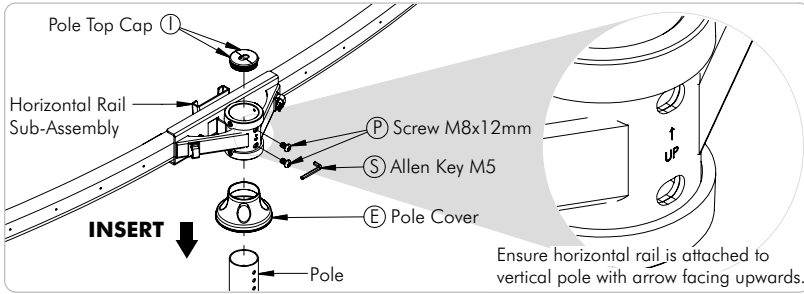
Step 1. Install the Pole to the desk.



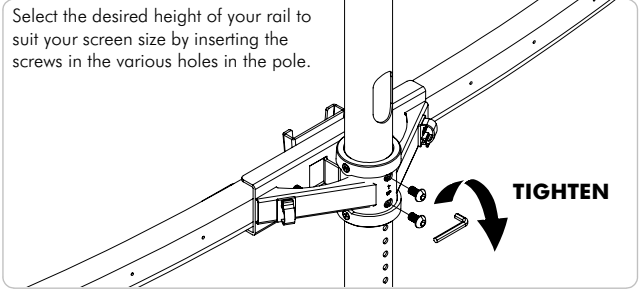
Step 2. Assemble Horizontal Support Rail.



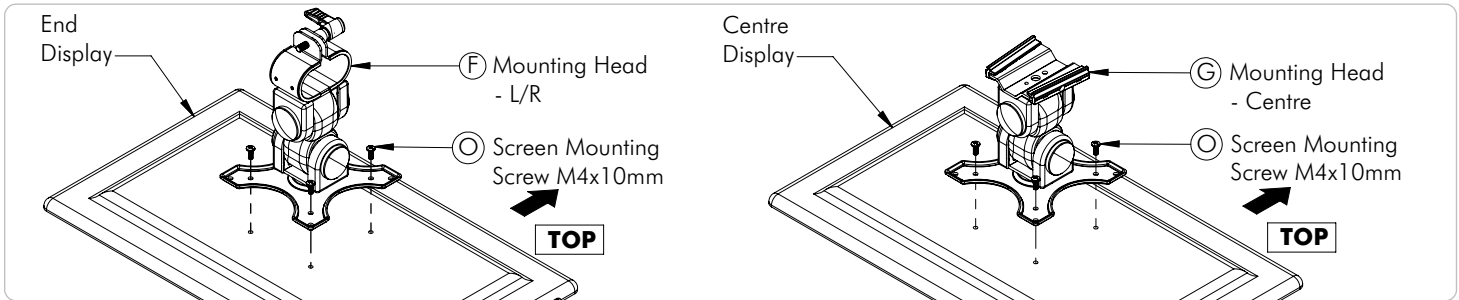
Step 3. Install Horizontal Rail to the Pole.



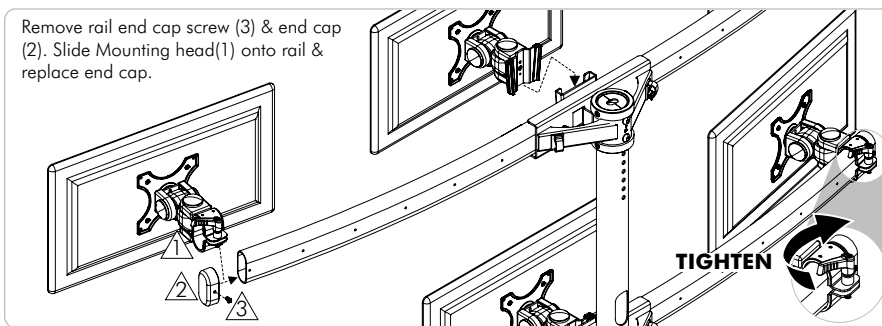
Step 4. Adjust Horizontal Rail Position.



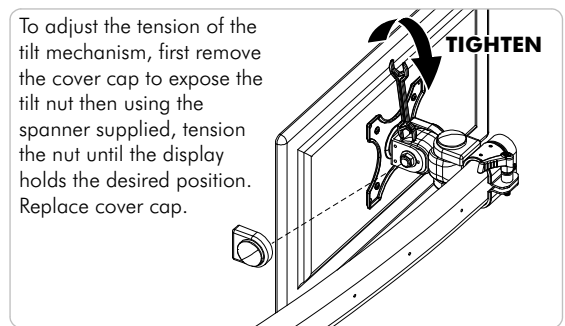
Step 5. Fasten Display to Mounting Heads.



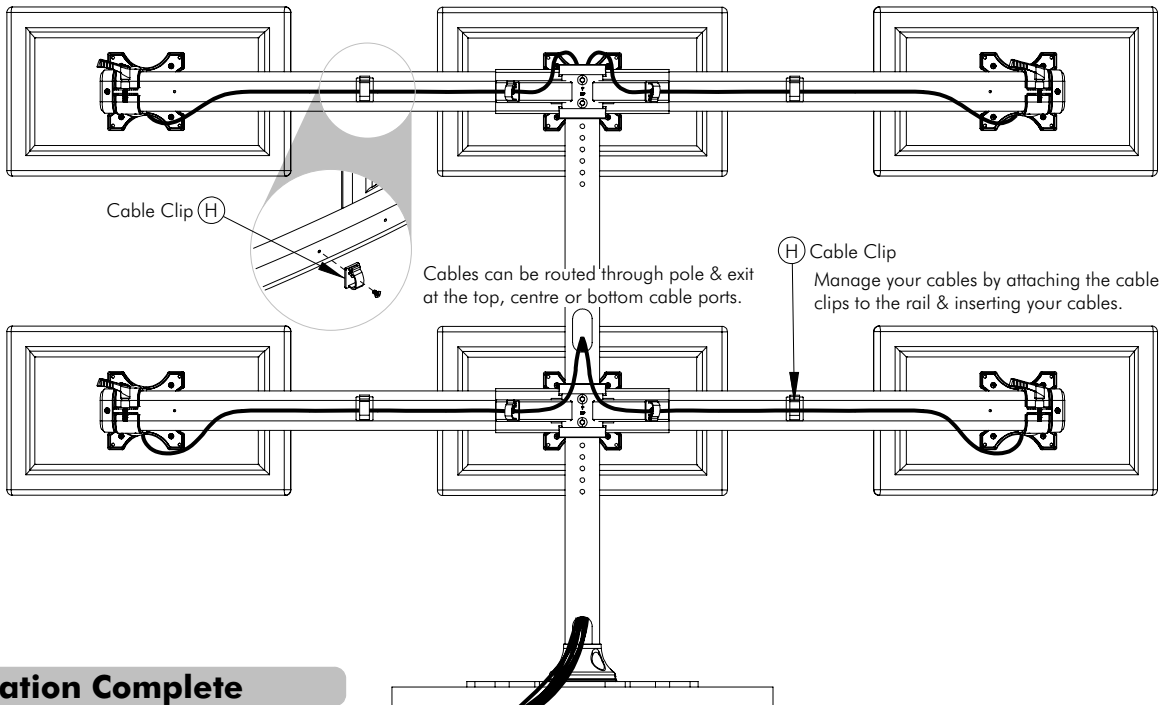
Step 6. Attach Display to Horizontal Rail.



Step 7. Adjust Display Tilt Tension.



Step 8. Cable Management



Installation Complete

