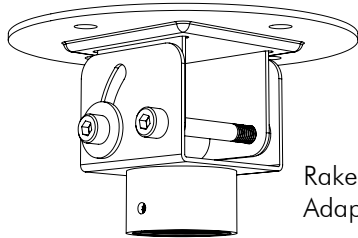


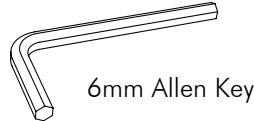
Raked Ceiling Accessory For TH-1040-CTS and TH-1040-CTL

Components Checklist



Raked Ceiling Adapter

Hardware



6mm Allen Key

(use hardware from TH-1040-CTS or TH-1040-CTL)

Tools Required:

- Power Drill
- 7mm (0.25") drill bit
- 12mm (0.5") masonry drill bit
- 17mm (0.69") Socket Wrench or Shifter

IMPORTANT INFORMATION

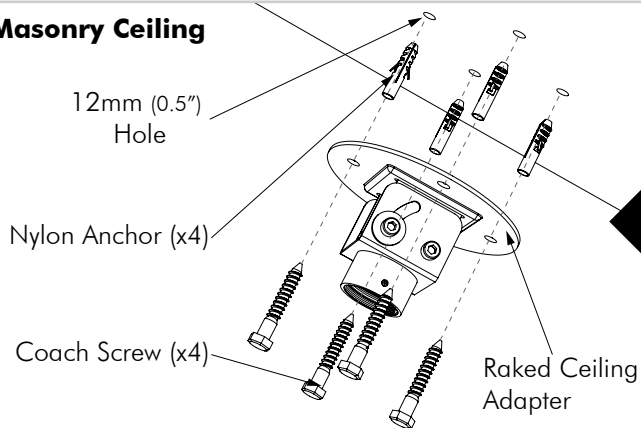
- ! **IMPORTANT - Install 1040 Raked Ceiling Accessory as per Installation Instructions.**
- ! This product is to be installed in conjunction with TH-1040-CTS and TH-1040-CTL Ceiling Mounts only.
- ! Supports maximum angle of 45°.
- ! The manufacturer does not accept responsibility for incorrect installation.

Step 1. Check Components

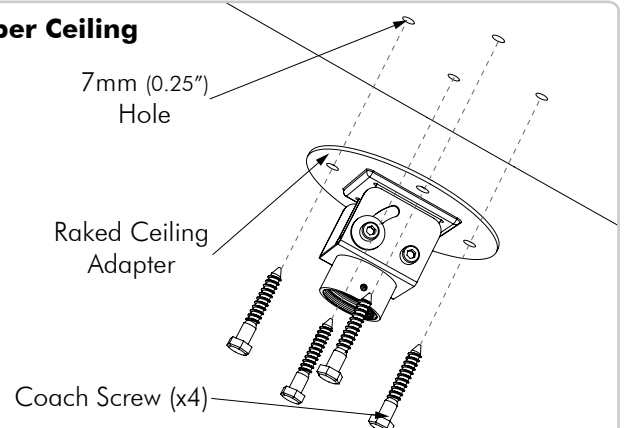
Check you have received all parts against the component checklist and Hardware above.

Step 2. Mount Ceiling Adapter to Ceiling using hardware supplied with TH-1040-CTS/TH-1040-CTL

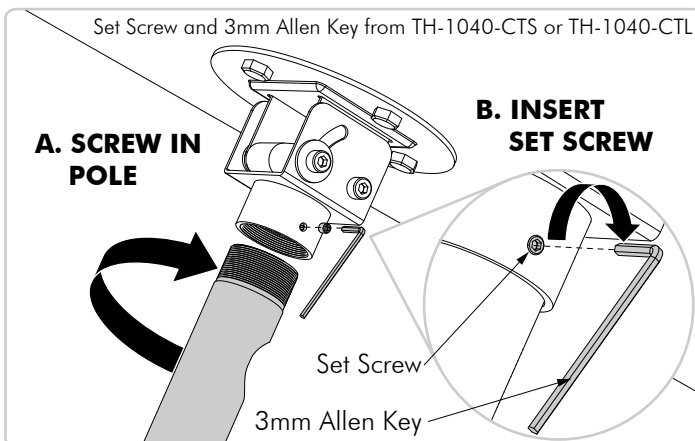
Masonry Ceiling



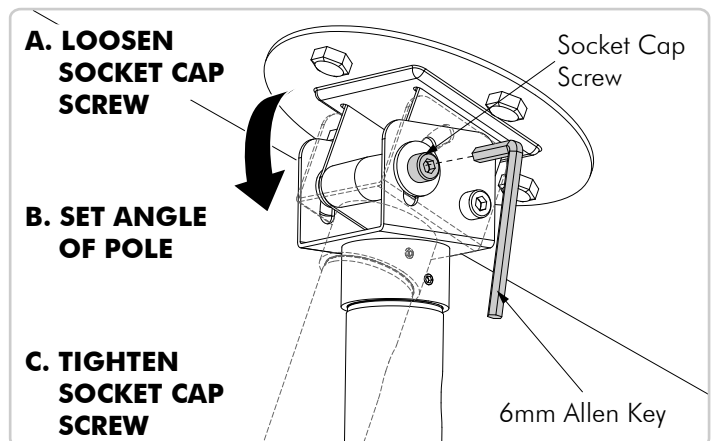
Timber Ceiling



Step 3. Install Pole



Step 4. Adjust Angle



Installation Complete, continue with installation of TH-1040-CTS/TH-1040-CTL from Step. 6 onwards.