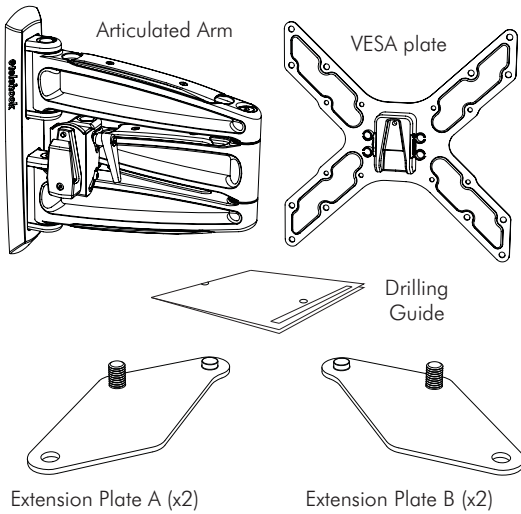
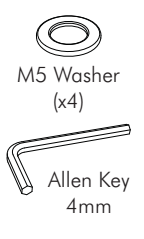
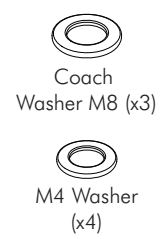
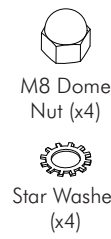
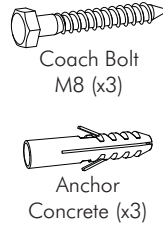


Components Checklist



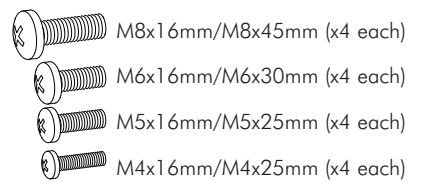
Hardware



TOOLS REQUIRED:

- Power Drill
- Phillips Head Screwdriver
- Spirit Level
- 5mm (0.2") Drill Bit
- 10mm (0.39") Masonry Drill Bit
- 13mm (0.51") Socket Wrench or Shifter
- 14mm (0.55") Socket Wrench or Shifter

Mounting Screws



IMPORTANT INFORMATION

! IMPORTANT - Install Wall Mount as per Installation Instructions.

! Telehook Wall Mount supports Displays weighing up to 35kg (77lbs), with VESA hole configurations:

- 100x100mm
- 200x100mm
- 200x200mm
- 300x200mm
- 300x300mm
- 400x200mm - using Extension Plates supplied
- 400x300mm - using Extension Plates supplied
- 400x400mm - using Extension Plates supplied

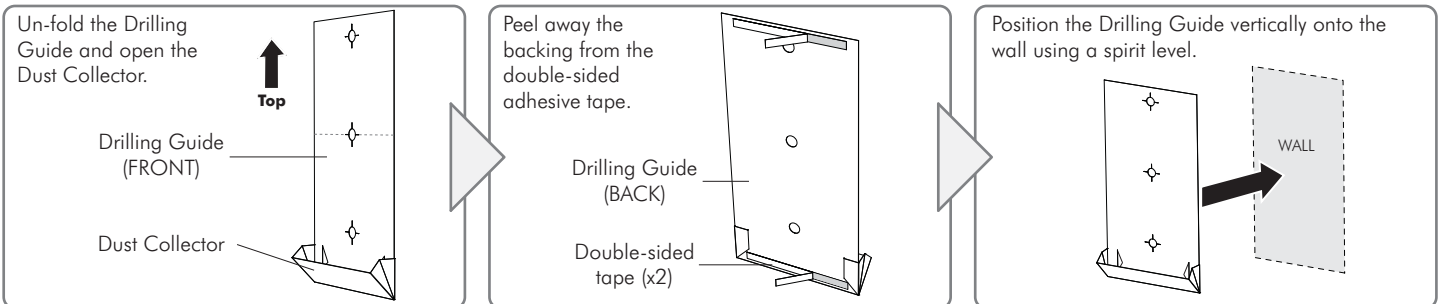
! The Manufacturer accepts no responsibility for incorrect installation.

Step 1. Check Components

Check you have received all parts against the Component Checklist and Hardware above.

Step 2. Locate Drilling Position

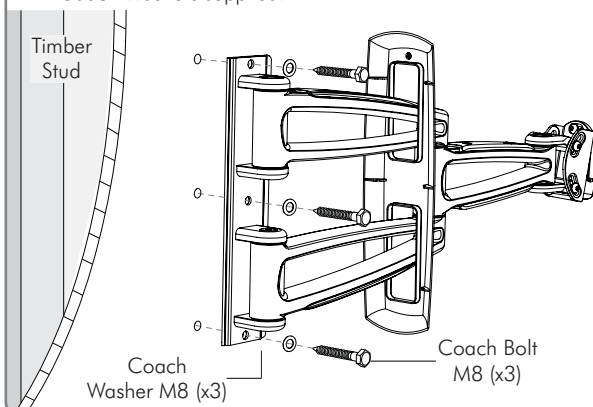
Choose the location of your Telehook Wall Mount, ensuring that the wall is structurally sound (for a timber stud wall, locate the stud using a stud detection device). Use the Drilling Guide to mark out the hole centres.



Step 3. Attaching the Articulated Arm to the Wall

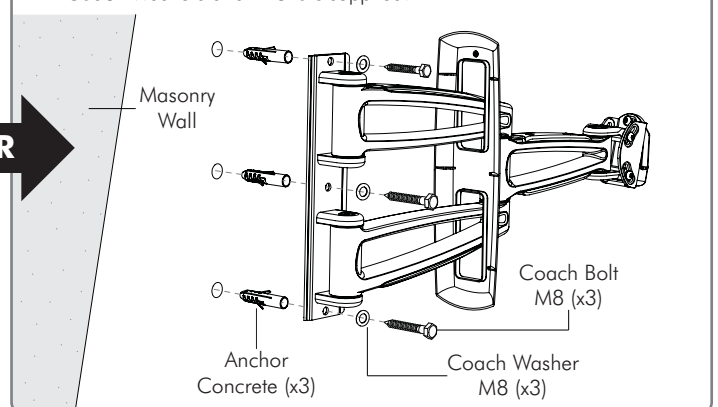
Timber Stud Wall

- Using the Drilling Guide, drill three 5mm (0.2") diameter holes, 50mm (2") deep.
- Secure the Mounting Plate to the wall using the Coach Bolts and Coach Washers supplied.



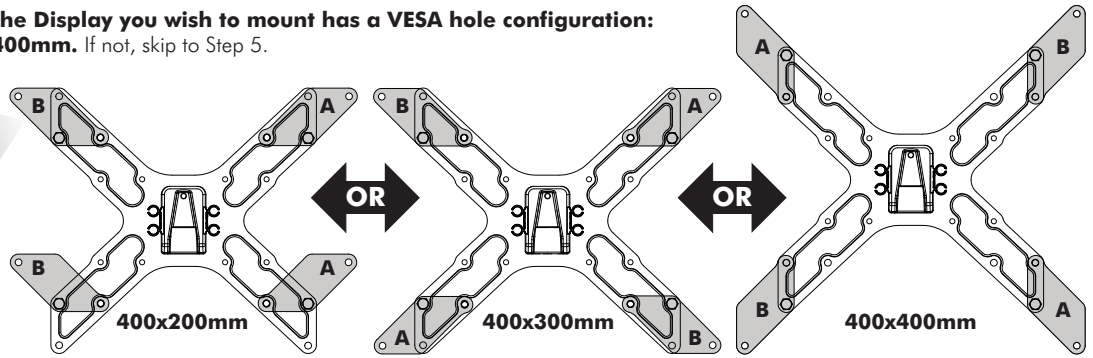
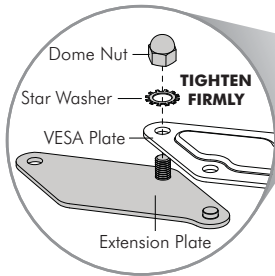
Masonry Wall

- Using the Drilling Guide, drill three 10mm (0.39") diameter holes, 50mm (2") deep.
- Secure the Mounting Plate to the wall using the Coach Bolts, Coach Washers and Anchors supplied.



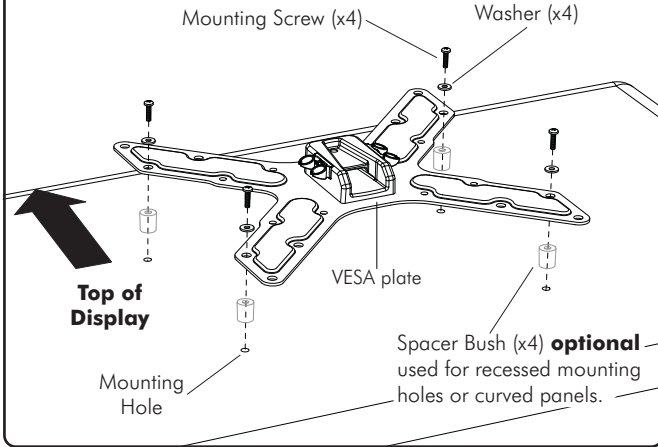
Step 4. Fasten Extension Plates to the VESA Plate (optional)

Only use the Extension Plates if the Display you wish to mount has a VESA hole configuration: 400x200mm, 400x300mm, 400x400mm. If not, skip to Step 5.



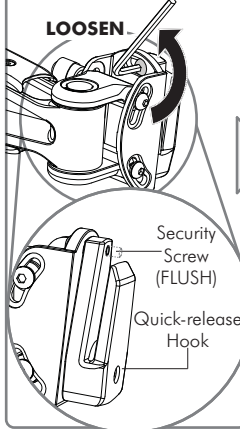
Step 5. Attaching the VESA Plate to your Display

Choose appropriate Mounting Screws and Washers from the Hardware supplied to suit your Display.

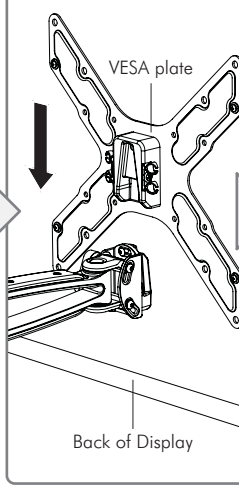


Step 6. Attaching your Display to the Articulated Arm (⚠️ required)

IMPORTANT: Using the 4mm Allen Key loosen (do not remove) the Security Screw until flush with the Quick-release Hook.



Slide the VESA plate onto the Quick-release Hook.

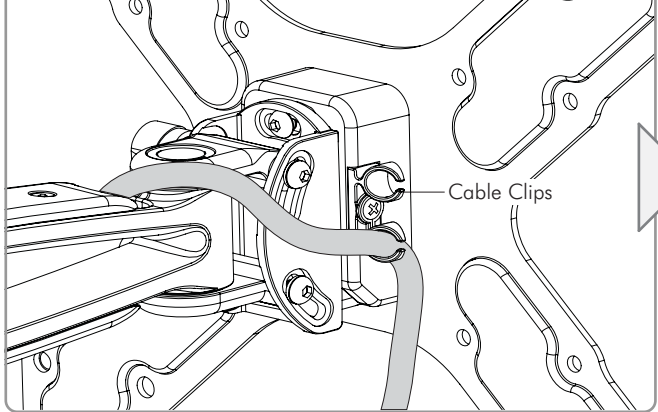


Rotate the Display into a Horizontal position as required.

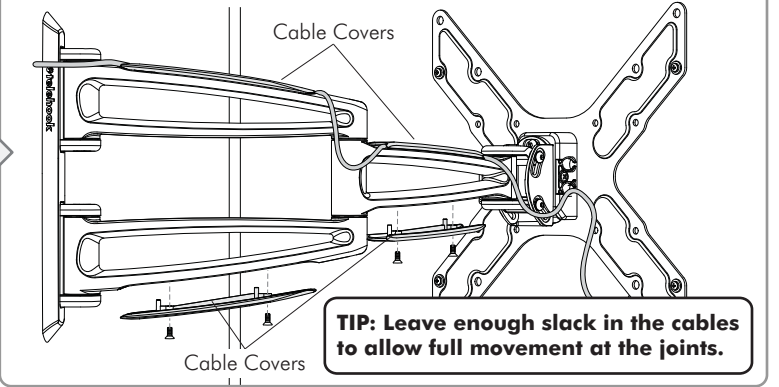


Step 7. Cable Management

Connect cables to your Display and route through Cable Clips.

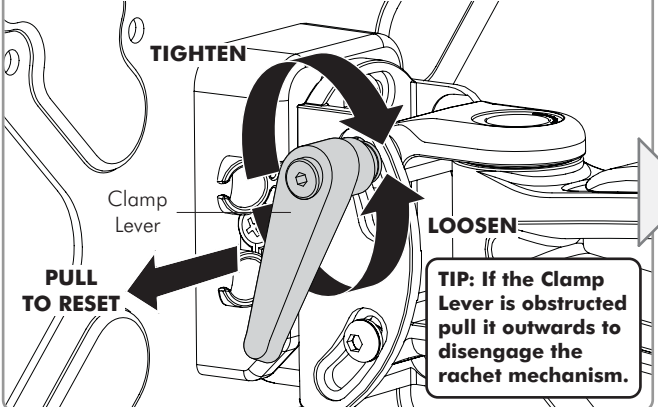


Remove Cable Covers using a Phillips Head Screwdriver, and route the cables along the length of the arms. Reattach the Cable Covers to hold the Cables in place.

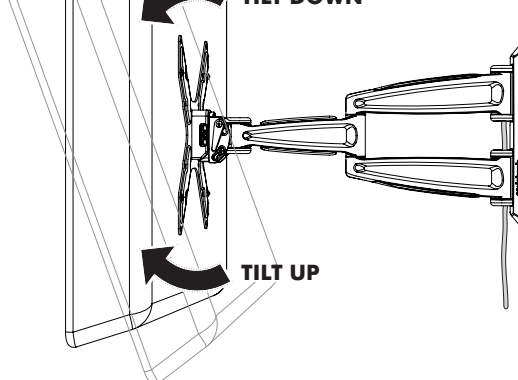


Step 8. Tilt Adjustment

Release the Clamp Lever and tilt the Display up or down as desired.



Tighten the Clamp Lever to lock the Display in desired position.



Installation Complete