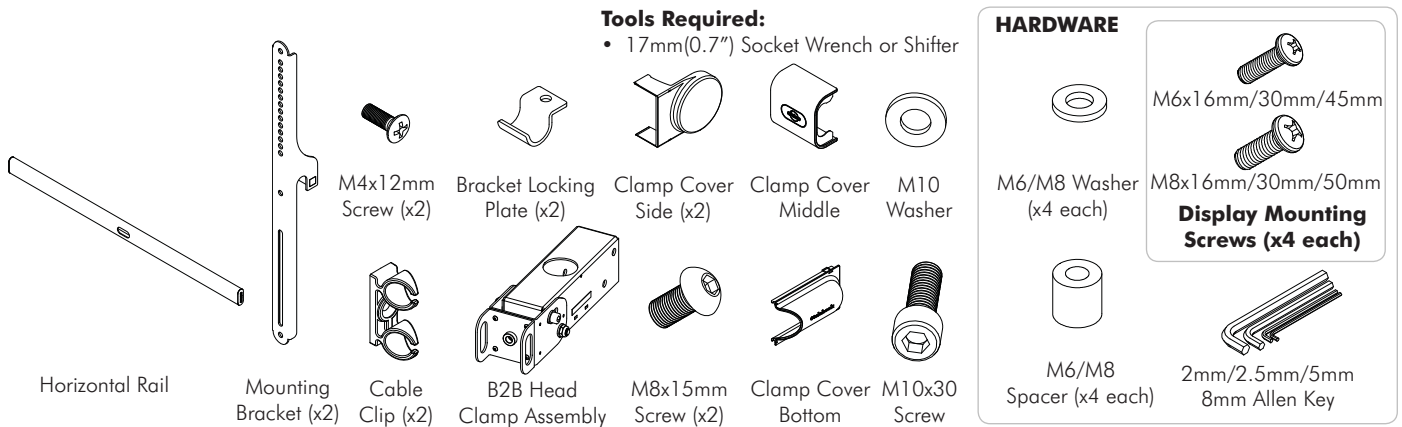


Back to Back Accessory for TH-3070-CTL & TH3070-CTS

Component Checklist



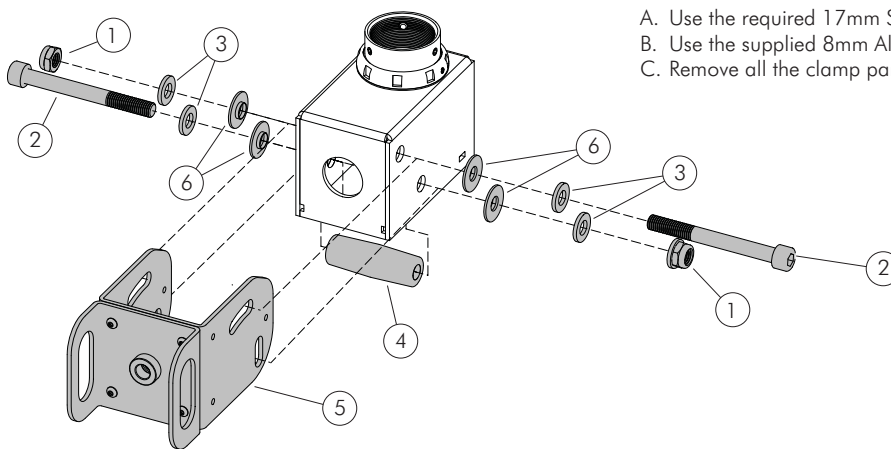
IMPORTANT INFORMATION:

- ! **IMPORTANT - Install 3070 Back to Back Accessory as per installation instruction.**
- ! This product is to be installed in conjunction with TH-3070-CTL and TH-3070-CTS mounts only.
- ! The manufacturer accepts no responsibility for incorrect installation.

Step 1. Check Components

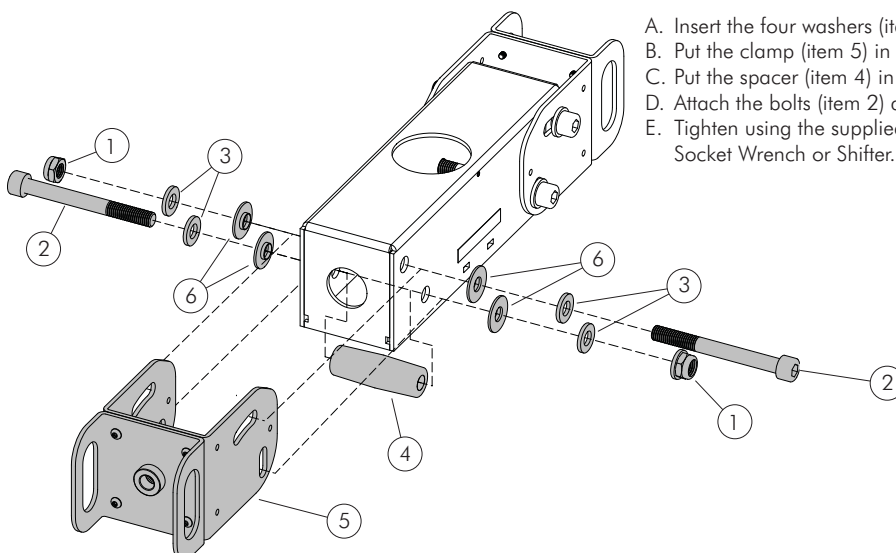
Check you have received against the component checklist and hardware above.

Step 2. Remove the clamp parts from Head Assembly of TH-3070-CTL/CTS



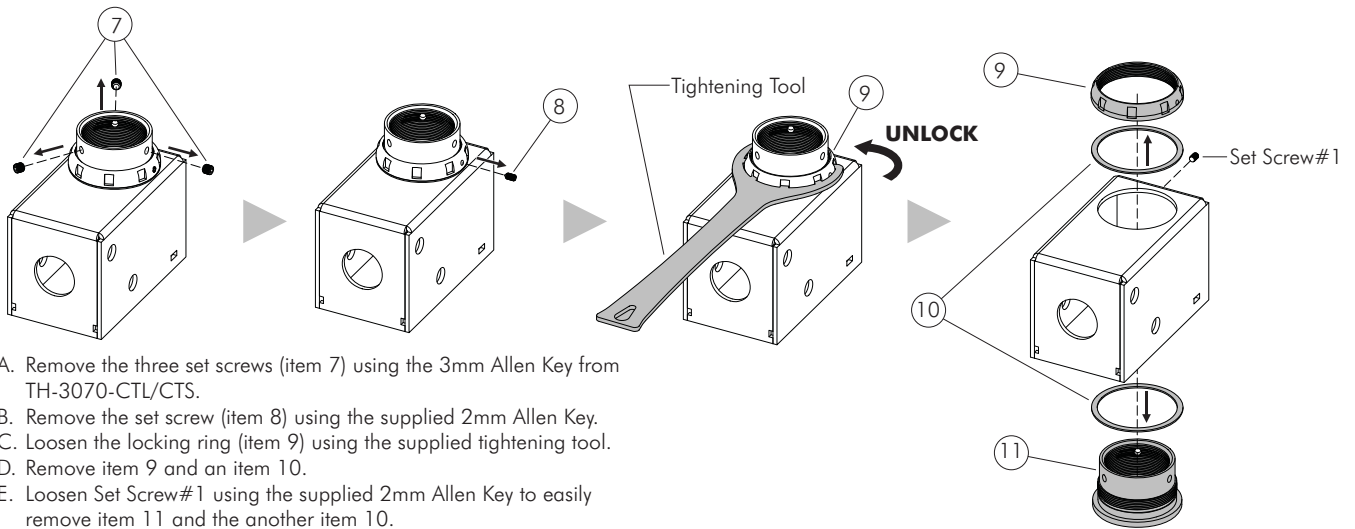
- Use the required 17mm Socket Wrench or Shifter to hold the nuts (item 1).
- Use the supplied 8mm Allen Key to loosen the bolts (item 2).
- Remove all the clamp parts items 1 to 6.

Step 3. Assemble the clamp parts to B2B Head Assembly



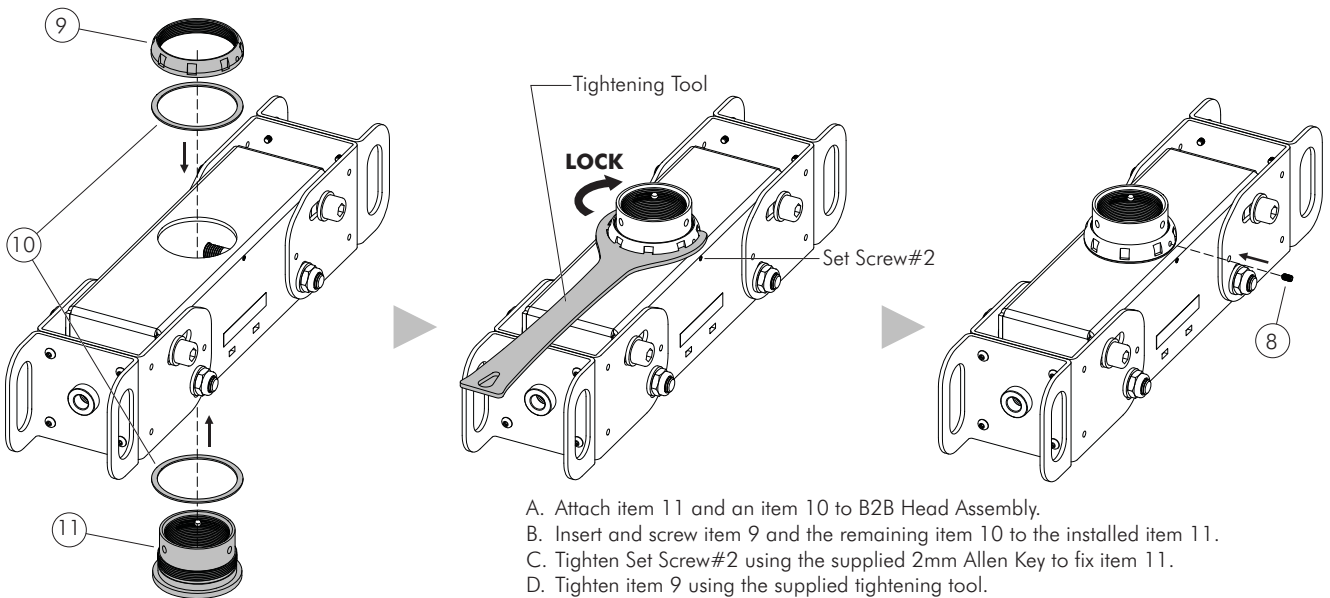
- Insert the four washers (item 6) to the four holes.
- Put the clamp (item 5) in place.
- Put the spacer (item 4) in place.
- Attach the bolts (item 2) and nuts (item 1) with washers (item 3).
- Tighten using the supplied 8mm Allen Key paired with the required 17mm Socket Wrench or Shifter.

Step 4. Remove the collar from Head Assembly of TH-3070-CTL/CTS



- Remove the three set screws (item 7) using the 3mm Allen Key from TH-3070-CTL/CTS.
- Remove the set screw (item 8) using the supplied 2mm Allen Key.
- Loosen the locking ring (item 9) using the supplied tightening tool.
- Remove item 9 and an item 10.
- Loosen Set Screw #1 using the supplied 2mm Allen Key to easily remove item 11 and the another item 10.

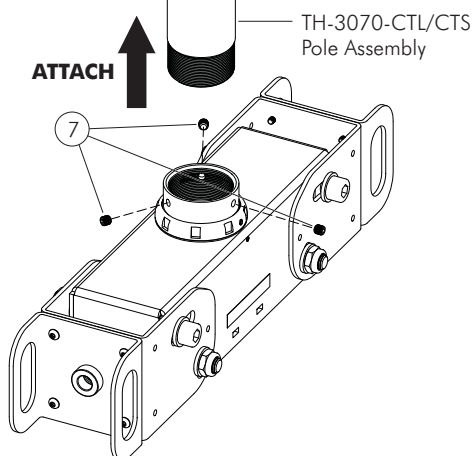
Step 5. Assemble the collar to the B2B Head Assembly



- Attach item 11 and an item 10 to B2B Head Assembly.
- Insert and screw item 9 and the remaining item 10 to the installed item 11.
- Tighten Set Screw #2 using the supplied 2mm Allen Key to fix item 11.
- Tighten item 9 using the supplied tightening tool.
- Insert item 8 using the supplied 2mm Allen Key to secure item 9.

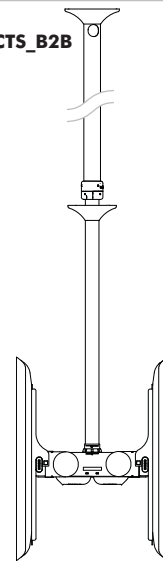
Step 6. Attach to TH-3070-CTL/CTS Pole Assembly

- Attach the B2B Head Assembly to TH-3070-CTL/CTS Pole Assembly.
- Insert the three set screws (item 7) to secure.

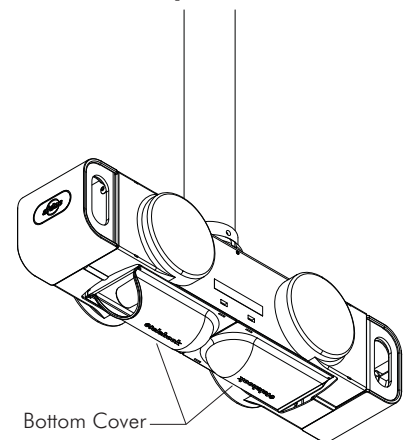


NOTE: Please refer from step 8 until the last step of TH-3070-CTL/CTS instruction manual to complete installation.

Finish look of TH-3070-CTL/CTS_B2B



Clamp Covers installed to the B2B Head Assembly



NOTE: The two bottom covers should position like this.

Refer to the TH-3070-CTL/CTS Instruction Manual to complete installation