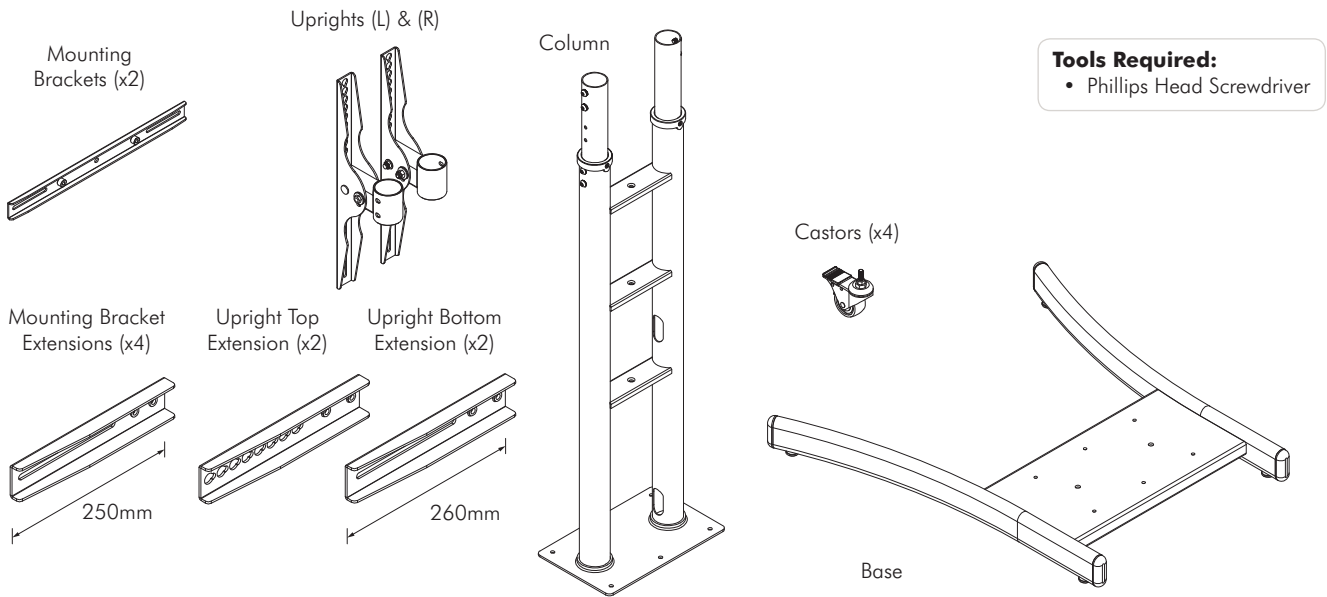


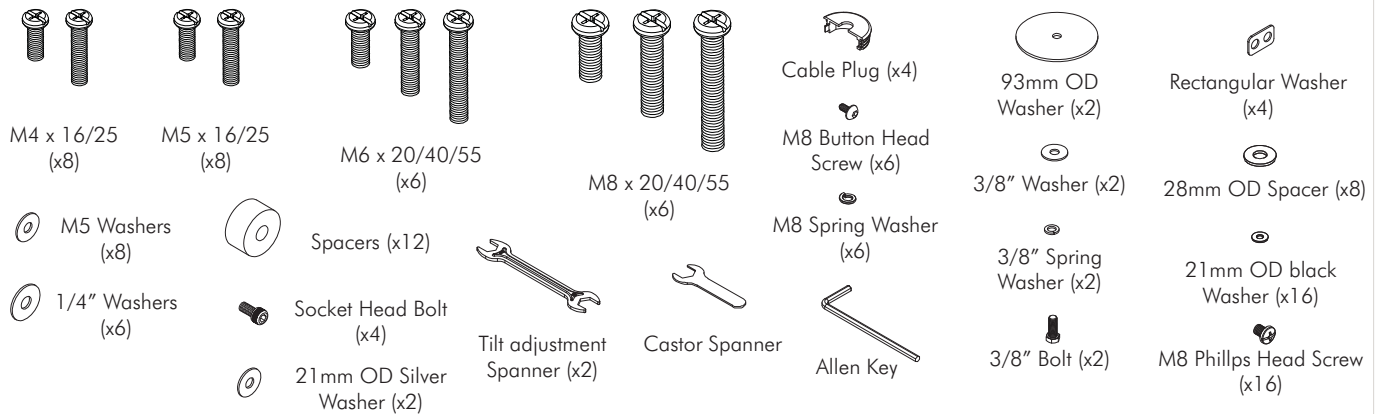
Component Checklist



Tools Required:

- Phillips Head Screwdriver

HARDWARE



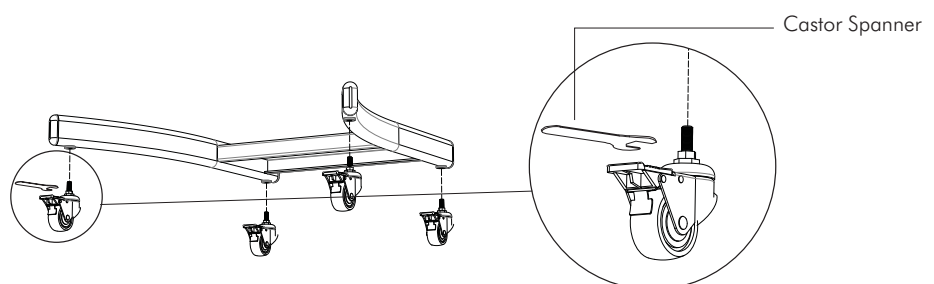
IMPORTANT INFORMATION:

- ! **IMPORTANT - Install TV Cart as per installation instruction.**
- ! This product supports a maximum load of 125kg (275lbs.).
- ! This product supports VESA Mounting Hole Configurations: From 200mm to 450mm wide (800mm with extensions) and from 200mm to 450mm high (800mm high with extensions).
- ! The manufacturer accepts no responsibility for incorrect installation.

Step 1. Check Components

Check you have received against the component checklist and hardware above.

Step 2. Assemble Base

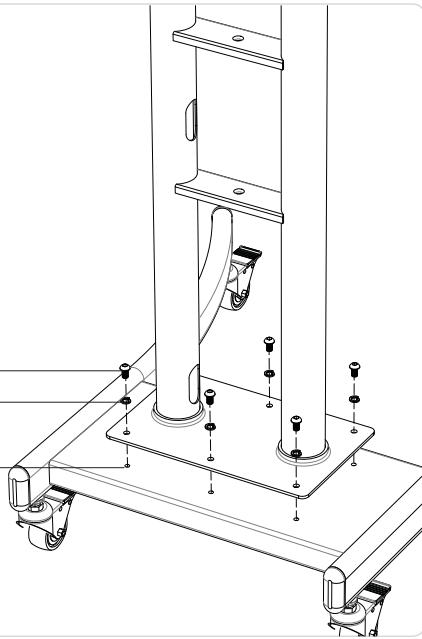


2.1 Mount all castors and tighten with caster spanner.

Step 3. Mount Column to Base

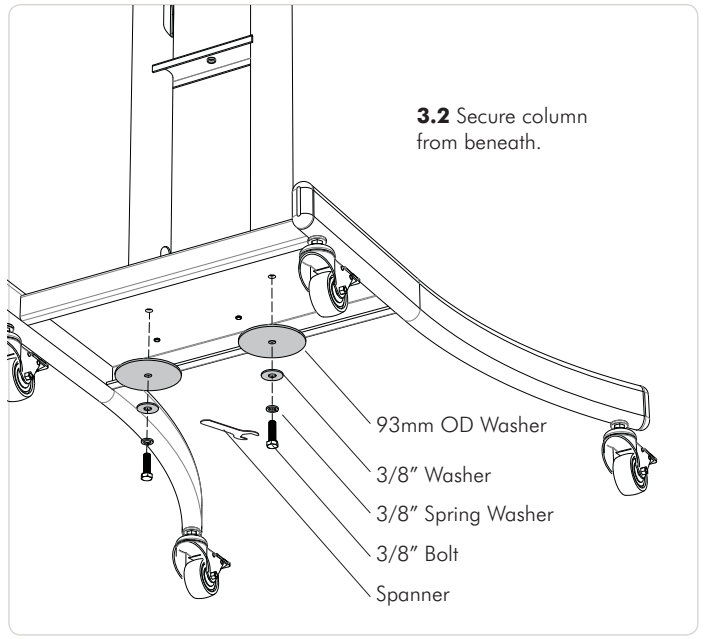
3.1 Line holes up and secure column to base.

M8 Button Head Screws
M8 Spring Washers
Holes



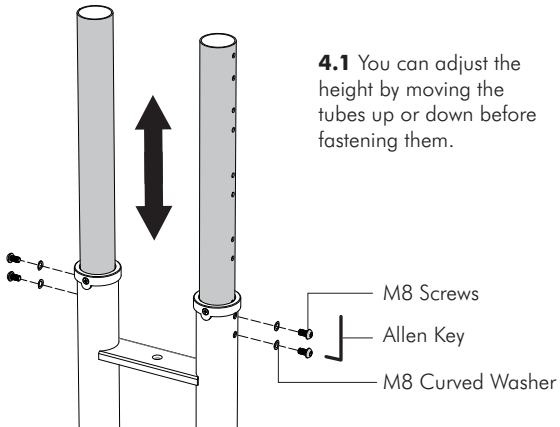
3.2 Secure column from beneath.

93mm OD Washer
3/8" Washer
3/8" Spring Washer
3/8" Bolt
Spanner



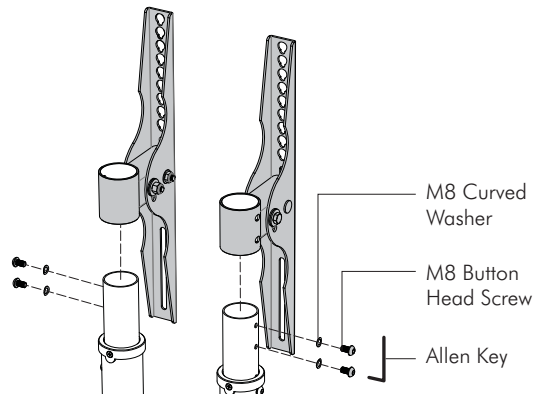
Step 4. Adjust Height

4.1 You can adjust the height by moving the tubes up or down before fastening them.



Step 5. Attach Uprights

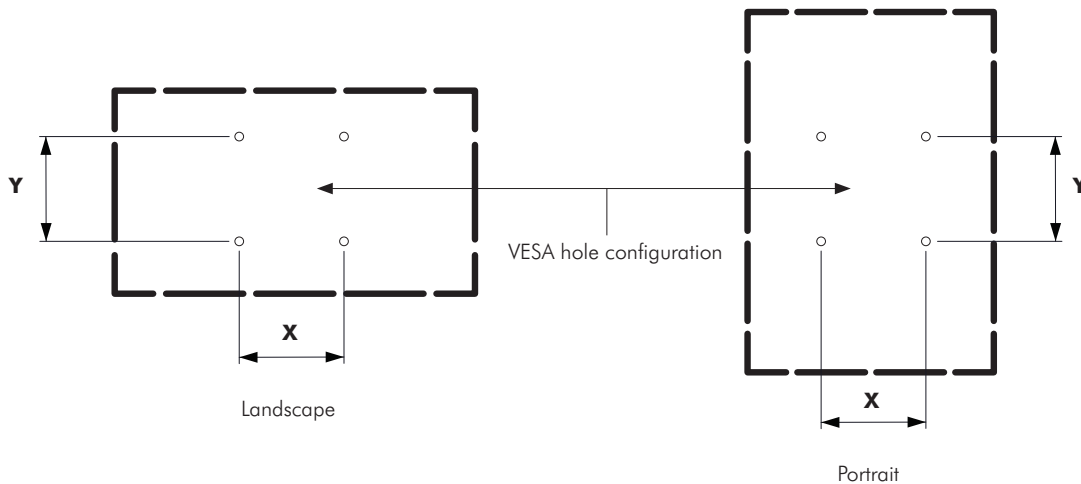
5.1 Remove fasteners and washers from the Column before attaching Uprights. Secure fasteners **loosely** to allow for movement.



Step 6. Choose Screen Orientation

6.1 The TV Cart supports both Landscape and Portrait orientations. The method of attaching the screen will depend on the screen's VESA hole configuration.

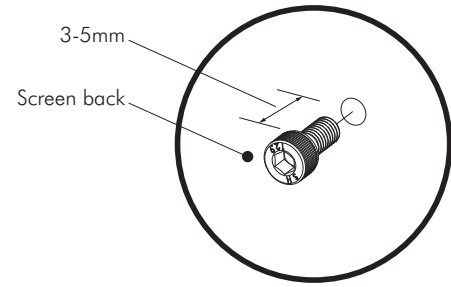
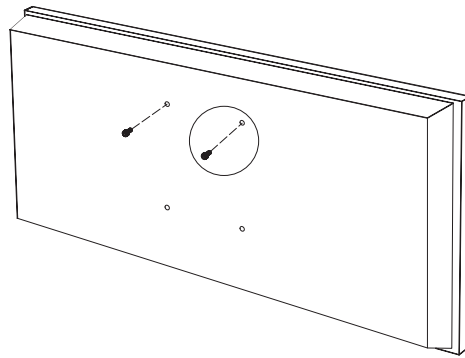
Before moving to the next step, measure dimensions **X** & **Y** as shown below.



Step 7. Attach Fixings to Screen

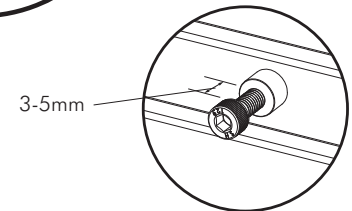
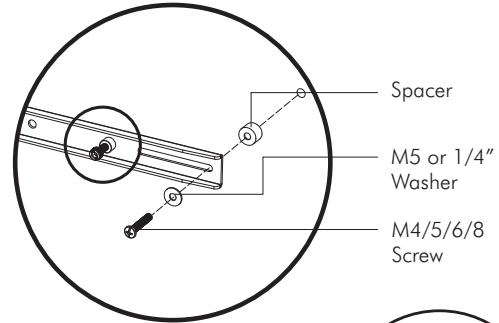
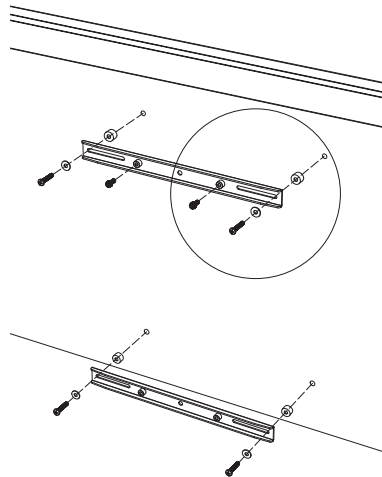
If dimension **X** is **200mm**

Insert Socket Head Bolt straight into the screen ensuring that there is a 3-5mm gap.



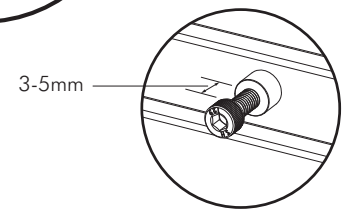
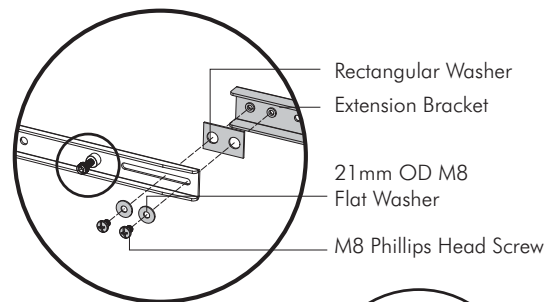
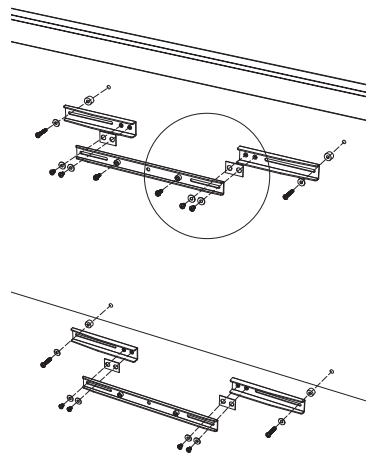
If dimension **X** is from **300mm to 450mm**

Mount the Brackets onto the back taking note to leave the **bottom bracket loose** so that it can slide.



If dimension **X** is from **450mm to 800mm**

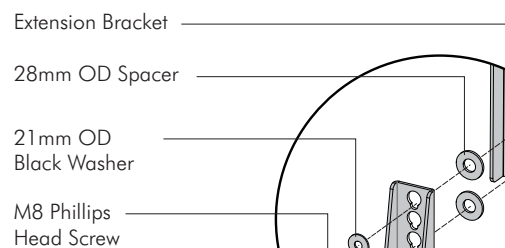
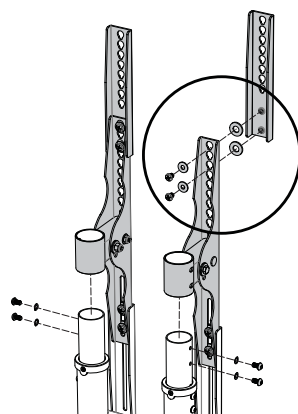
Mount the Brackets **with extensions** onto the back taking note to leave the **bottom bracket loose** so that it can slide.



If dimension **Y** is from 200mm to 450mm skip Step 8 and go straight to Step 9

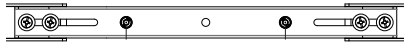
Step 8. Mount Upright Extensions

If dimension **Y** is from **450mm to 800mm** mount the **Upright extensions**.

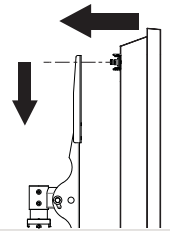
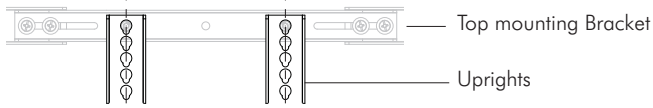


NOTE: Key holes are on top, slots are at the bottom.

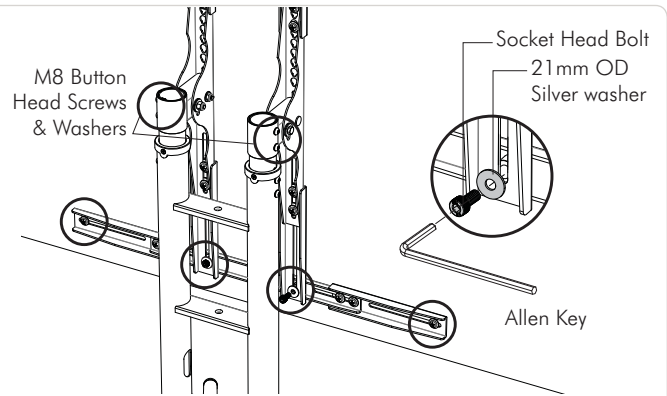
Step 9. Mount Screen



9.1 Align top Socket Head bolts to upright holes.

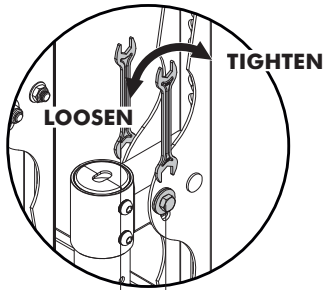


9.2 Insert bolts through key holes and lower to secure.

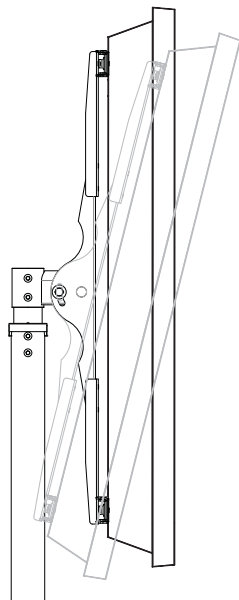


9.3 Insert the remaining socket head bolts and washers on to the bottom bracket before fastening all of the screws.

Step 10. Adjust Tilt

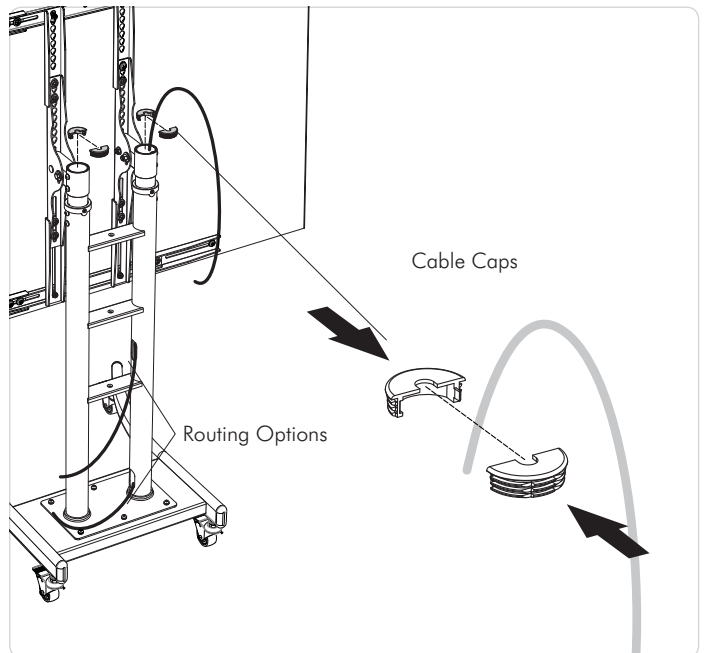


Hold | **Tighten|Loosen**



10.1 Using the provided spanners to adjust tilt, hold down the nut on the inside of the upright whilst turning the bolt on the outside.

Step 11. Cable management



Installation Complete