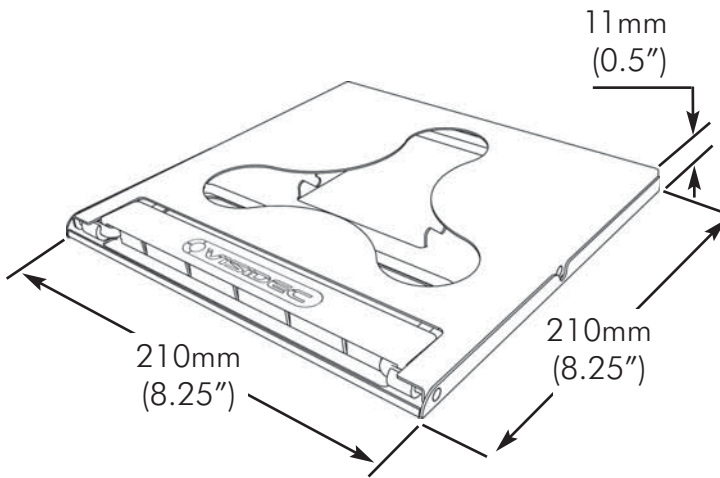


## Technical Specifications / Installation Instructions

### A Dimensions

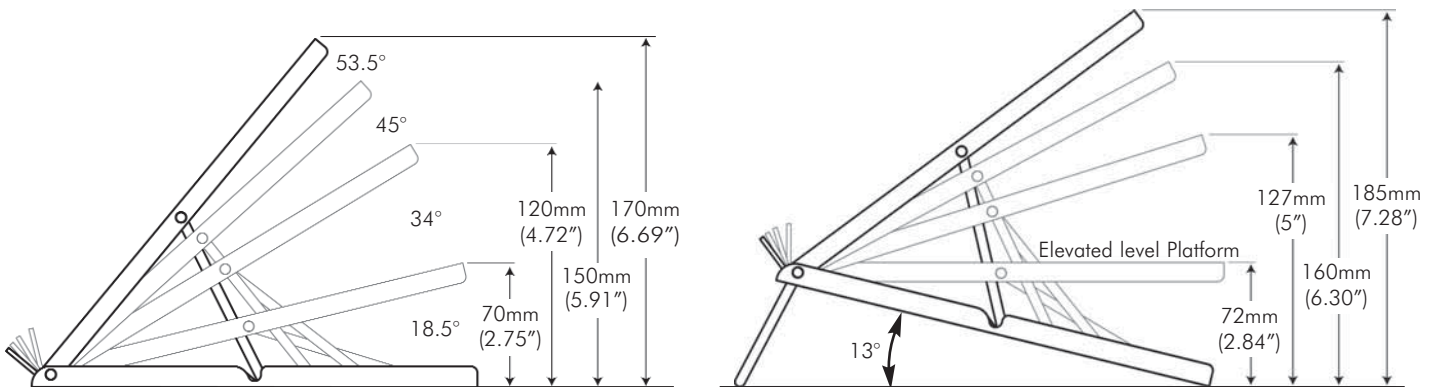


**IMPORTANT:**  
**Notebook Traveller 14T supports a maximum weight of 3kgs (6.6lbs)**

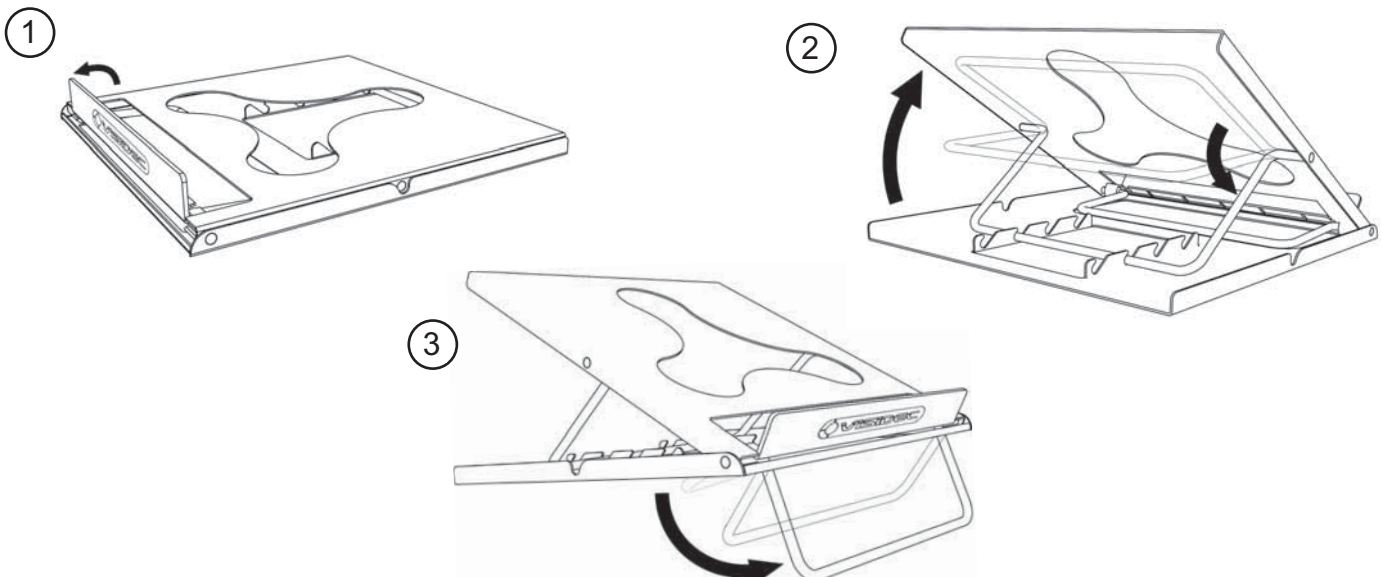
**NOTE:**  
 Notebook Traveller 14T has been designed to be used with an external keyboard or other peripheral devices

**Warranty:**  
 10 years limited

### B Height Adjustment Range



### C Setup Procedure



## D Ergonomic Guidelines

Ergonomists recommend that the optimal position of your screen should be slightly below eye level. When looking at the screen's centre the user should have a downward visual angle of approximately 10-20 degrees.

For visual comfort while using your notebook computer, a viewing distance between 500mm (20") to 750mm (29.5") is recommended.

**Note:** Use of this product should only be done in conjunction with an external keyboard and mouse!

