

General Features

Maximum Load:

8kg (17.5 lbs)

Warranty:

10 years limited

Mounting Compatibility:

The product is designed to be installed on an existing Focus pole mount.

VESA Mounting Hole Configurations:

75mm x 75mm

100mm x 100mm

Dual-screen setup supports displays with a maximum unit width of 650mm (25.59").

Tools Required:

Phillips Head screwdriver

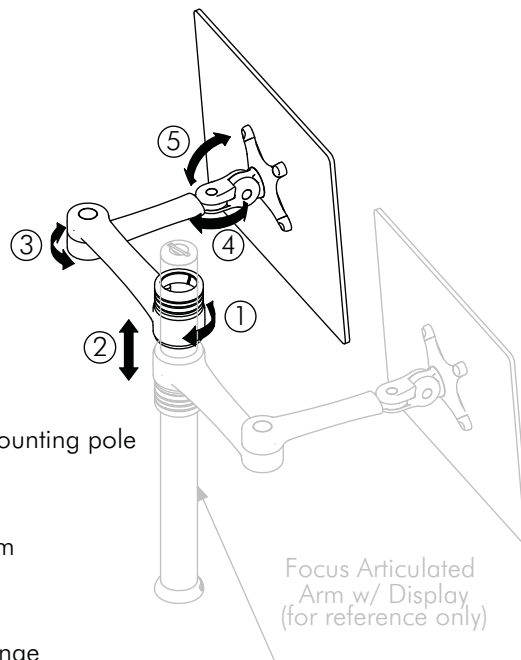
Cable Management:

Cable management system includes cable slots and Cable Covers.

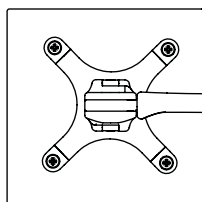
Colour:

Polished Silver

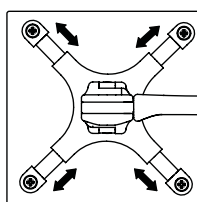
- ① 360° rotation along mounting pole
- ② Height adjustment
- ③ 360° articulation of arm
- ④ 180° pan adjustment
- ⑤ ±70° tilt adjustment range



The Flexistar™ Mechanism



75mm x 75mm
VESA Hole Pattern



100mm x 100mm
VESA Hole Pattern

Pull out
tabs

Dimensions

