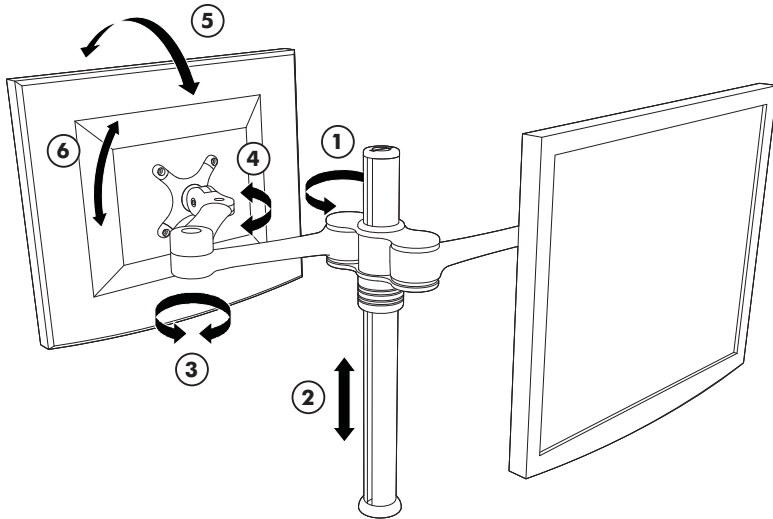


General Features



- ① 240° rotation at shoulder
- ② 315mm (12.5") height adjustment range
- ③ 360° articulation of arms
- ④ 180° pan adjustment
- ⑤ ±75° tilt adjustment range
- ⑥ ±95° portrait/landscape adjustment

Max Load:

Max. 8kg (17.5lbs) per display

Display Compatibility:

Suits displays from 12" (30cm) to 24" (61cm)

Display Mounting Options:

Suits 75mm x 75mm to 100mm x 100mm mounting hole patterns

Mounting Options:

Focus Articulated Arm includes Bolt Through and Desk Clamp mounting options. **Note: Desk Clamp mounting option is only suitable for displays in side by side configuration.**

- Desk clamp
Suits desktop thicknesses of 0mm-99mm (0"-3.9")
- Bolt Through
Suits desktop thicknesses of 12mm-40mm (0.5"-1.5")

Included Hardware:

All fasteners and mounting hardware is included

Colours:

Polished Silver

Warranty:

10 years limited.

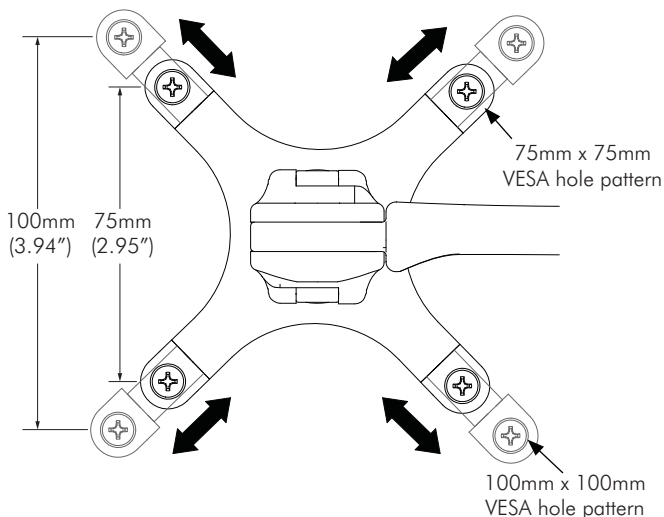
Note:

The back to back display configuration shown can only be used in conjunction with the **Bolt Through** mounting option.

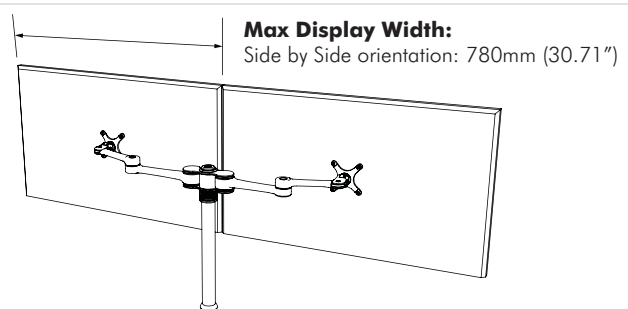
The range of movement shown here applies to both arms of Focus Articulated Arm Double.

Please read the Installation Instructions before mounting Focus Articulated Arm Double.

The FlexiStar™ mechanism

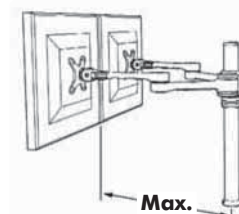


Side by Side



Max Display Width:

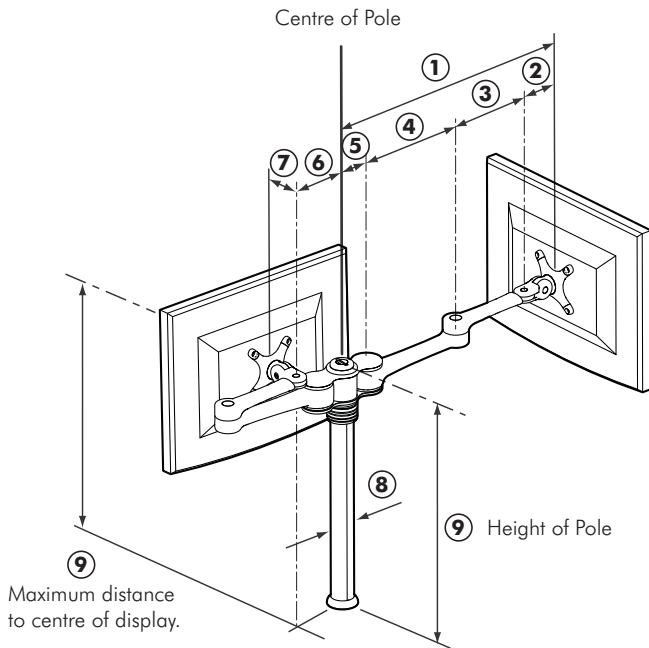
Side by Side orientation: 780mm (30.71")



Note: The Focus Articulated Arm Double can be configured so that the displays are positioned side by side.

The maximum distance from the pole to the back of the display will be determined by the size of the displays.

Overall Dimensions

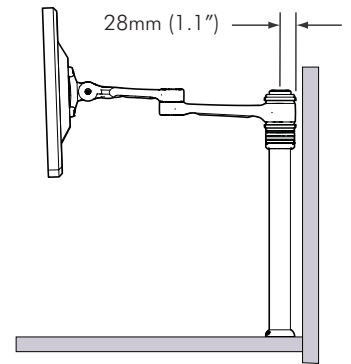


Note:

The back to back display configuration shown can only be used in conjunction with the **Bolt Through** mounting option.

The range of movement shown here applies to both arms of Focus Articulated Arm Double.

- ① Max. 467mm (18.39")
- ② 68mm (2.68")
- ③ 150mm (5.91")
- ④ 195mm (7.68")
- ⑤ 54mm (2.5")
- ⑥ 99mm (3.89")
- ⑦ Min. 68mm (2.68")
- ⑧ \varnothing 39mm (1.5")
- ⑨ 440mm (17.32")
or
450mm (17.71") when using Desk Clamp



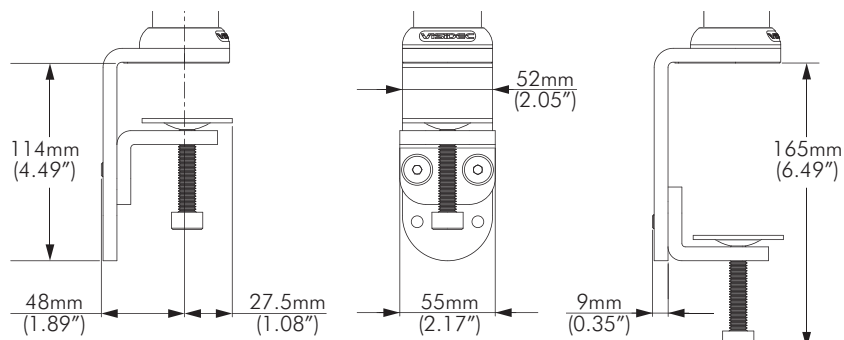
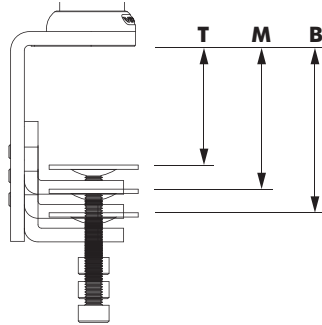
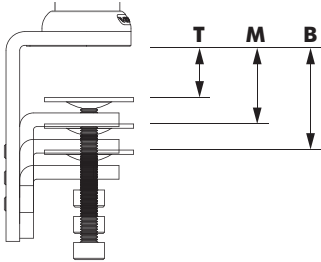
Desk Mounting Options

Desk Clamp

Desk clamp suits the following thicknesses of **0mm-99mm (0"-3.9")**

Top 0 - 32mm (default)
Middle 7 - 47mm
Bottom 22 - 62mm

Top 29 - 69mm
Middle 43 - 84mm
Bottom 59 - 99mm



Bolt Through

Bolt Through suits desktop thicknesses of **12mm-40mm (0.5"-1.5")**

